



3000

SOP-8

SOP-8

2510 0402 0603 DFN0603-2L DFN1006-2L DFN1006-3L
 DFN10x15-5L DFN10x15-5L-XX DFN1610-2L DFN1610-6L
 DFN2010-5L DFN2010-8L DFN2020-2L DFN2020-3L DFN2020-6L
 DFN2020-6L-XX DFN2020-8L DFN2510-10L DFN2626-10L DFN2x2-
 3L DFN2x2-6L DFN2x2-6L-XX DFN3.0x3.0-8L DFN3.3x3.3-8L
 DFN3.3x3.3-8L-XX DFN3020-10L DFN3030-8L DFN3030-8L-XX
 DFN3030-12L DFN3333-2L DFN3333-8L DFN3810-9L DFN3x3-8L-
 XX DFN4120-10L DFN5060-8L DFN5060-8L-XX DFN5515-18L
 DFN5x6-8L(Dual) DFN5x6-8L-XX DFN8080-2L DFN8080-4L
 DFN8x8-2L DFN8x8-4L-XX DIP-5 DriveJM-34 DriveJM-62 DriveJM-
 DC DriveJM-E1 DriveJM-E2 DriveJM-EC DriveJM-ED DriveJM-H1
 DriveJM-H2 F3 FBP-02C-A IGBT-34mm LSOP-4 PDFN3.3x3.3-8L
 PDFN3x3-8L PDFN3x3-8L-XX PDFN5x6-8L PDFN5x6-8L-XX
 PowerJE10x12 PowerJE5x6 PowerJE7x8 PowerJE8x8 PPTC
 SGD0201 SGD0402 SMD-5 SOD-123 SOD-123FL SOD-123FLT
 SOD-323 SOD-323F SOD-323FL SOD-523 SOD-723 SOD-923
 SOP-10 SOP-16 SOP-4 SOP-5 SOP-7 SOP-8 SOT-143 SOT-
 143-XX SOT-223 SOT-223-XX SOT-227 SOT-227-XX SOT-23
 SOT-23-XX SOT-323 SOT-323-XX SOT-353 



Jenny Lan





SHAEC25016639102

2025 07 09

2 10

2025 07 03 ~ 2025 07 09

RoHS 2011/65/EU II (EU) 2015/863- (DEHP) (PBB) (PBDE) (2-) (DIBP) (BBP) (DBP)	
RoHS 2011/65/EU II (EU) 2015/863- (PVC)	

\$ /

		SGS ID	
SN1	A1	SHA25-0166391-0001.C001	
SN2	A2	SHA25-0166391-0001.C002	

- (1) 1 mg/kg = 1 ppm = 0.0001%
- (2) MDL=
- (3) ND = (< MDL)
- (4) "-" =

RoHS 2011/65/EU II (EU) 2015/863- (PBB)	(PBDE) (2-) (DEHP) (BBP)	(DBP) (DIBP)

IEC 62321-4:2013+AMD1:2017 IEC 62321-5:2013 IEC 62321-7-2:2017 IEC 62321-12:2023 ICP-OES/AAS UV-Vis GC-MS

			MDL	A1
(Pb)	1000	mg/kg	2	ND
(Hg)	1000	mg/kg	2	ND
(Cd)	100	mg/kg	2	ND
(Cr(VI))	1000	mg/kg	8	ND
(PBB)	1000	mg/kg	-	ND
(MonoBB)	-	mg/kg	25	ND
(DiBB)	-	mg/kg	25	ND



			MDL	A1
(TriBB)	-	mg/kg	25	ND
(TetraBB)	-	mg/kg	25	ND
(PentaBB)	-	mg/kg	25	ND
(HexaBB)	-	mg/kg	25	ND
(HeptaBB)	-	mg/kg	25	ND
(OctaBB)	-	mg/kg	25	ND
(NonaBB)	-	mg/kg	25	ND
(DecaBB)	-	mg/kg	25	ND
(PBDE)	1000	mg/kg	-	ND
(MonoBDE)	-	mg/kg	25	ND
(DiBDE)	-	mg/kg	25	ND
(TriBDE)	-	mg/kg	25	ND
(TetraBDE)	-	mg/kg	25	ND
(PentaBDE)	-	mg/kg	25	ND
(HexaBDE)	-	mg/kg	25	ND
(HeptaBDE)	-	mg/kg	25	ND
(OctaBDE)	-	mg/kg	25	ND
(NonaBDE)	-	mg/kg	25	ND
(DecaBDE)	-	mg/kg	25	ND
(2-) (DEHP)	1000	mg/kg	50	ND
(BBP)	1000	mg/kg	50	ND
(DBP)	1000	mg/kg	50	ND
(DIBP)	1000	mg/kg	50	ND



- (3) = a. 0.13 µg/cm²
- b. ND (0.10 µg/cm²)
- c. 0.10 µg/cm² 0.13 µg/cm²

(PVC)

SGS

FTIR/HATR

	A1
(PVC)	

(1) = , =

EN 14582:2016

IC

		MDL	A1
(F)	mg/kg	20	ND
(Cl)	mg/kg	50	ND
(Br)	mg/kg	50	ND
(I)	mg/kg	50	ND



· ° “
y q

~ i / SHAEC25016639102

fi fl / 2025 07 09

5

10

z { ' ° | } ~

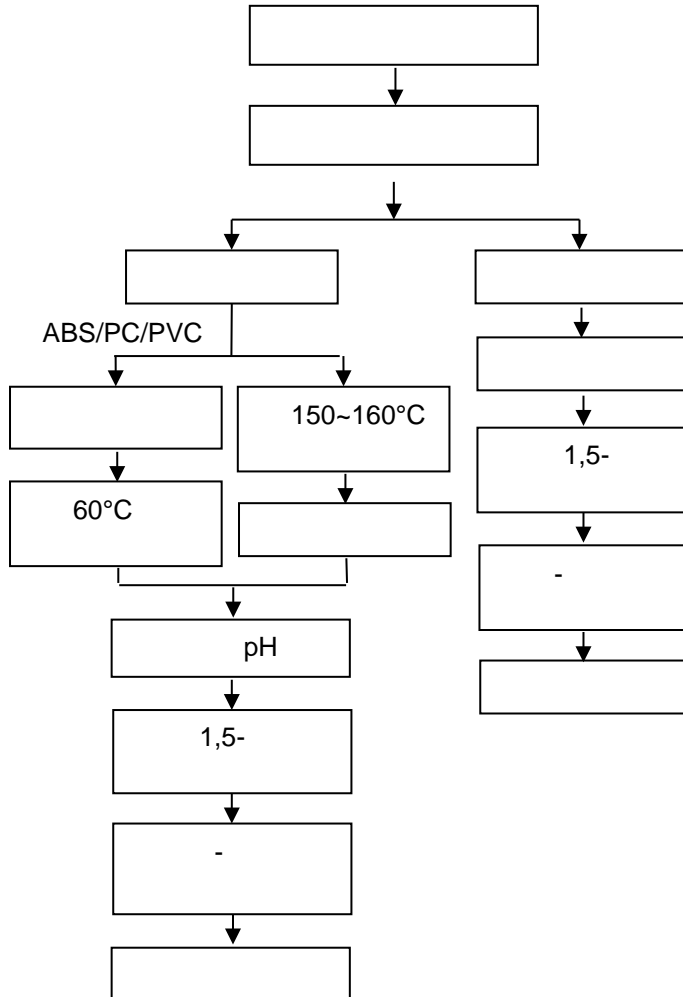
|

/



• • " .
y q

@ A B ' ' | } ~





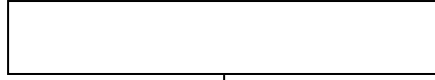
• • " •
y q

~ I / SHAEC25016639102

fi fl / 2025 07 09

7 10

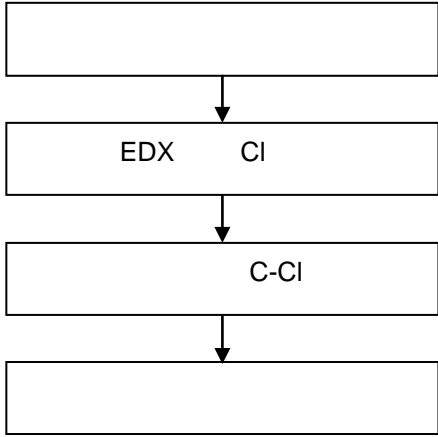
PBB/PBDE/Phthalates • • | } ~





· · " ·
y q

PVC · · | } ~





• • " •
y q

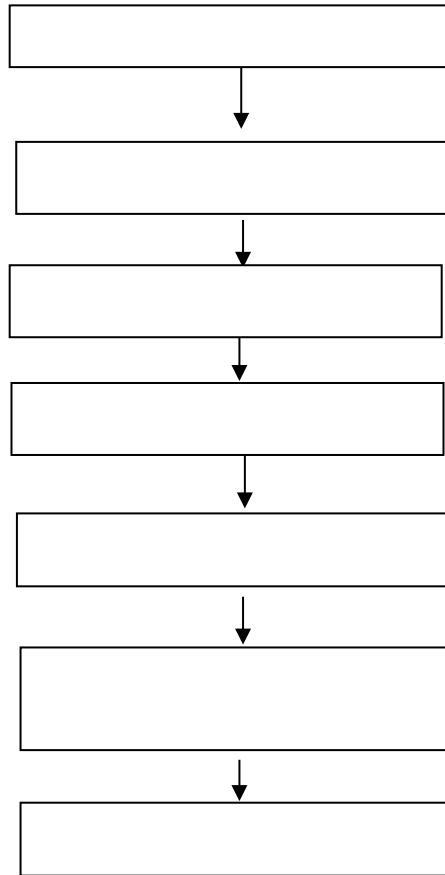
~ | / SHAEC25016639102

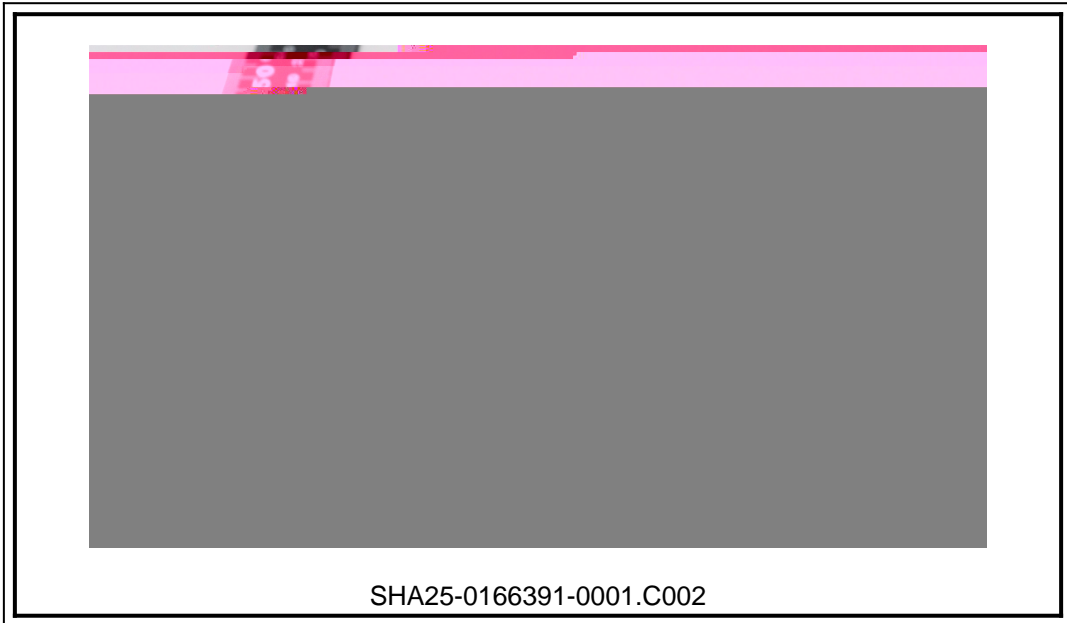
fi fl / 2025 07 09

9

10

á { ' ' | } ~





SGS
