



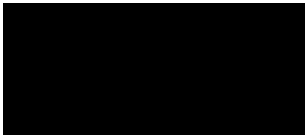
• • " / SHAEC25011745402 fi fl / 2025 Ł 05† 23 fi Ž 1 ž ! " 9 ž
 < = 5 > / ? @ A A B C D E F . / 0 1
 < = G H / ? @ I J K L M N O P Q R S ? T 3000 i

U V 5 > / W X Y Z (5 [)
 \ i / 5 [
 < =] ^ _ ` / 4 [a 6 [
 b + U V c _ ` d < = e f g

 SGS h i ~ i / TIC1020250519105717SWVP
 U V j k l m / 2025 Ł 05† 20 fi
 ~ n fl / 2025 Ł 05† 20 fi ~ 2025 Ł 05† 23 fi
 ~ o p / q r < = o p ~ g
 ~ s t / u v w ž g
 ~ x y / u v w ž g

• • o p	x z
{ RoHS } ~ 2011/65/EU € , I l f „ ... } ~ (EU) 2015/863-† a ‡ a ^ a % Š < a (E' ' " (PBB)a (E' " " • (PBDE)a - " " — " (2-™š > š)œ (DEHP)a - " " — Ď j œ (BBP)a - " " — " Ď œ (DBP)ç - " " — " " œ £ Ď œ (DIBP)	α ¥
! §	u ~ ° x y
~ §	u ~ ° x y

\$ \$ % & ' () * + , - . / 0 1
 2 3 4 5



Jenny Lan 6 7 8
 9 % 4 : ;





• • " • • /



SHAEC25011745402

2025 05 23

3 9

Á	Á	/	Á	MDL	A1
Í	" " • (NonaBDE)	-	mg/kg	25	ND
Î	" " • (DecaBDE)	-	mg/kg	25	ND
-	" " — " (2-™š > š)œ (DEHP)	1000	mg/kg	50	ND
-	" " — " Ÿ i œ (BBP)	1000	mg/kg	50	ND
-	" " — " Ÿ œ (DBP)	1000	mg/kg	50	ND
-	" " — " £ Ÿ œ (DIBP)	1000	mg/kg	50	ND



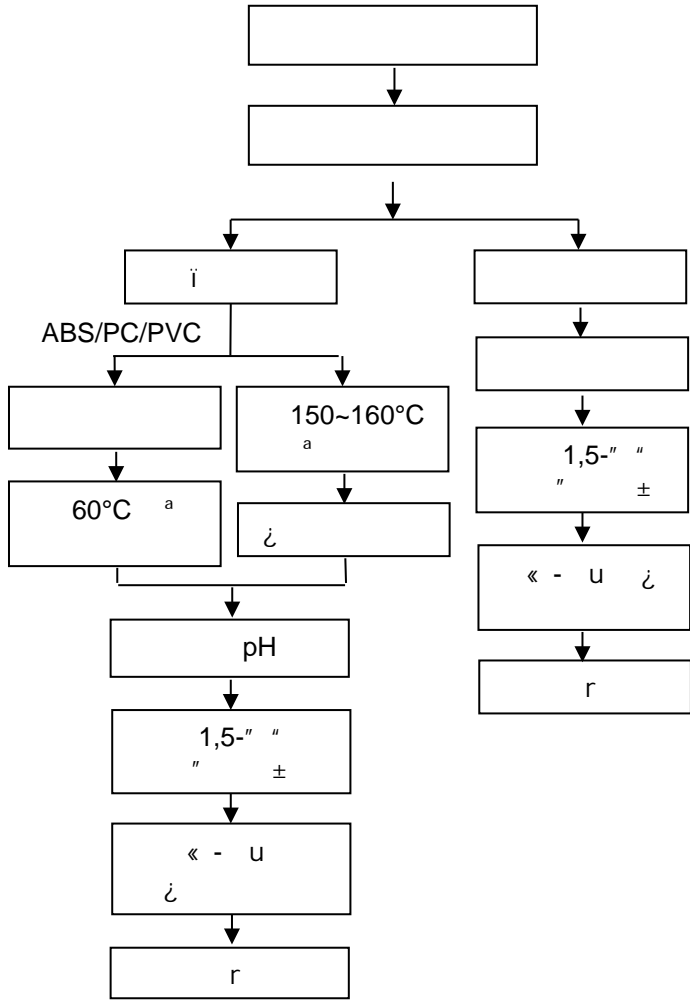
• • " •
€^a

~ I / SHAEC25011745402

fi fl / 2025 Ł 05ł 23 fi

Ž 5 ž ! " 9 ž

%Š < ' •





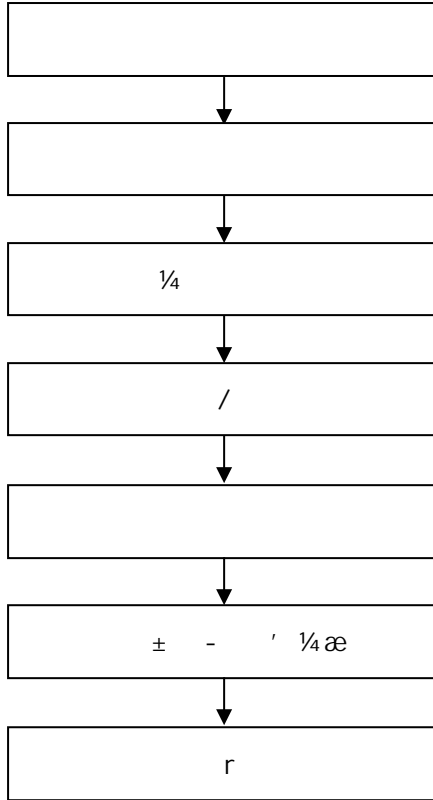
• • " €^a

SHAEC25011745402

fi fl / 2025 Ł 05ł 23 fi

Ž 6 ž ! " 9 ž

PBB/PBDE/Phthalates





• • " "



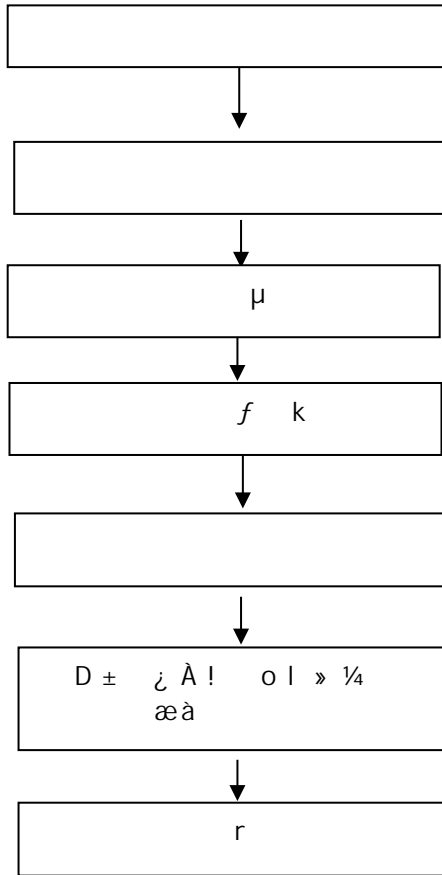
• • " €^a

SHAEC25011745402

fi fl / 2025 Ł 05ł 23 fi

Ž 8 ž ! " 9 ž

§



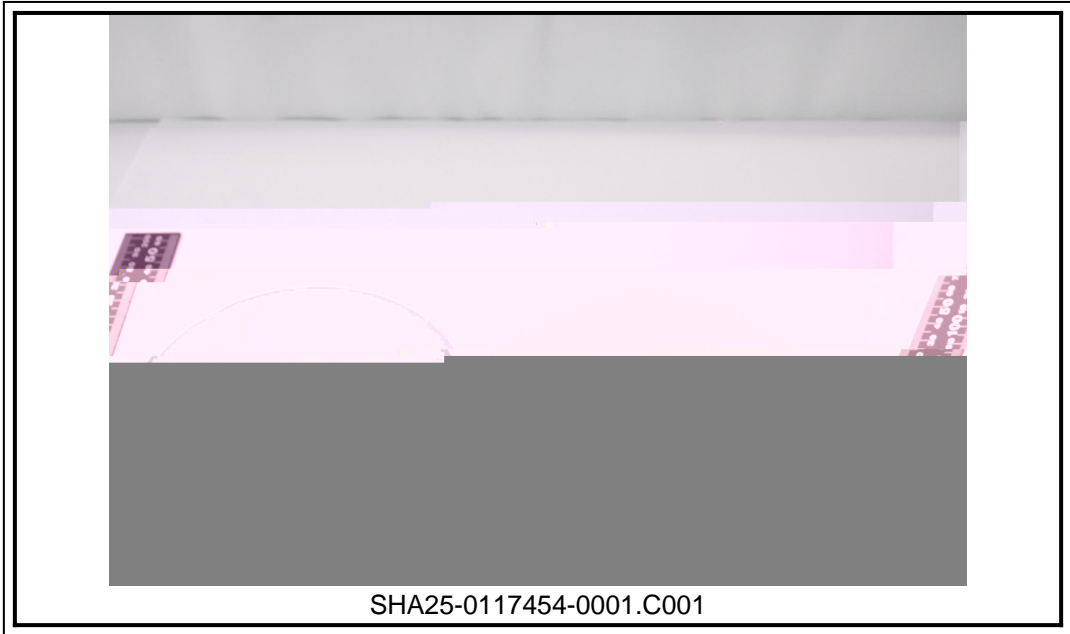


UV 6 Z /

SHAEC25011745402

fi fl / 2025 Ł 05ł 23 fi

Ž 9 ž ! " 9 ž



ú ó Z ù / Ú SGS ...ÿ " ċ ô ¼
 ***" ċ X ***