

MECHANICAL DATA

- ✧ Case: SMA molded plastic
- ✧ Terminals: Solder plated, solderable per J-STD-002
- ✧ Polarity: Color band denotes cathode end

ABSOLUTE MAXIMUM RATING (Rating at 25 °C ambient temperature unless otherwise specified.)

Parameter	Symbol	JSPX2150A	Unit
Maximum repetitive peak reverse voltage	V_{RRM}	150	V
Maximum RMS voltage	V_{RMS}	105	V
Maximum DC blocking voltage	V_{DC}	150	V
Maximum average forward current	$I_{F(AV)}$	2.0	A
Peak forward surge current: 8.3ms single half sine-wave superimposed on rated load	I_{FSM}	50	A
Operating junction temperature range	T_j	-55 to +150	
Storage temperature range	T_{stg}	-55 to +150	

ELECTRICAL CHARACTERISTICS (Rating at 25 °C ambient temperature unless otherwise specified.)

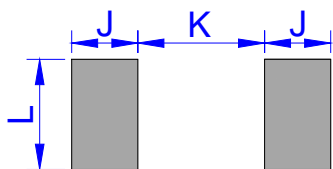
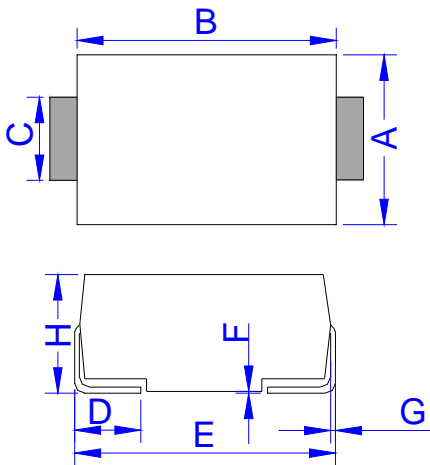
Parameter	Symbol	Min	Typ	Max	Unit
Forward voltage	$I_F=2A$	V_F		0.9	V
Reverse current at rated DC blocking voltage	$T_A=25$	I_R		0.1	mA
	$T_A=100$			8	
Junction capacitance	$V_R=4.0V, f=1MHz$	C_J	110		pF

THERMAL RESISTANCES

Symbol	Parameter	JSPX2150A	Unit
$R_{th(j-a)}$	Thermal resistance from junction to ambient	75	/W

MARKING

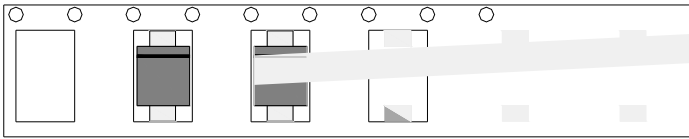

The first '*'	Date code
The second '*'	
The third '*'	Batch code
The fourth '*'	
The fifth '*'	
X	Package: SMA
2	$I_{F(AV)}$:2A
15	V_{RRM} :150V

PACKAGE MECHANICAL DATA

DO-214AC (SMA)

Ref.	Dimensions			
	Millimeters		Inches	
	Min.	Max.	Min.	Max.
A	2.60	3.00	0.102	0.118
B	4.15	4.65	0.163	0.183
C	1.25	1.65	0.049	0.065
D	0.95	1.52	0.037	0.060
E	4.90	5.30	0.193	0.209
F	0.051	0.203	0.002	0.008
G	0.15	0.31	0.006	0.012
H	2.00	2.44	0.079	0.096
J	2.00		0.079	
K		2.30		0.091
L	1.80		0.071	



TAPE AND REEL SPECIFICATION-SMA





CHARACTERISTICS CURVE

FIG.3: Maximum non-repetitive peak forward surge current

FIG.4: Forward current derating curve