

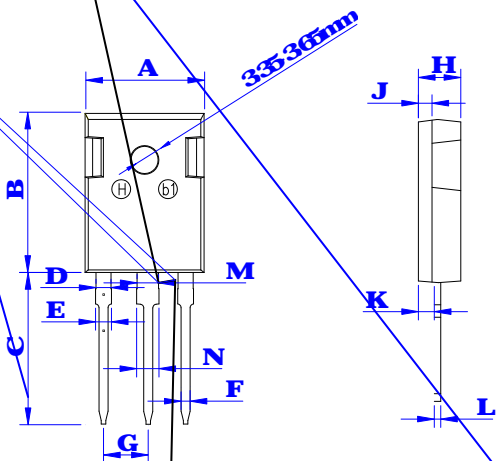


-
- ◇ **175 °C Tj operation**
 - ◇ **Low forward voltage drop**
 - ◇ **High purity, high temperature epoxy encapsulation for enhanced mechanical strength and moisture resistance**
 - ◇ **High frequency operation**
 - ◇ **Guard ring for enhanced ruggedness and long term reliability**
 - ◇ **This is a Pb Free device**

- ◇ **Switching power supply**
- ◇ **Converters**
- ◇ **Free-wheeling diodes**
- ◇ **Reverse battery protection**
- ◇ **Center tap configuration**



Ref	Thermal resistance from junction to case	04	AW



Ref	Dimensions					
	Millimeters			Inches		
	Mn	Typ	Max	Mn	Typ	Max
A	1550	1580	1610	0610	0622	0634
B	2080	2100	2120	0819	0827	0835
C	1970	2000	2030	0776	0787	0799
D	180	200	220	0071	0079	0087
E	190	210	230	0075	0083	0091
F	100	120	140	0039	0047	0055
G	525		565	0207		0222
H	480	500	520	0189	0197	0205
J	190	200	210	0075	0079	0083
K	220	235	250	0087	0093	0098
L	041	060	079	0016	0024	0031
M	280	300	320	0110	0118	0126
N	290	310	330	0114	0122	0130



JiJie products are not designed for, and shall not be used for, any purpose (including without limitation, automotive, military, aerospace, medical, life-saving, life-sustaining or nuclear facility applications, devices intended for surgical implant into the body, or any other application in which the failure or lack of desired operation of the product may result in personal injury, death, or property damage) other than those expressly set forth in applicable JiJie product documentation. Warranties granted by JiJie shall be deemed void for products used for any purpose not expressly set forth in applicable JiJie documentation. JiJie shall not be liable for any claims or damages arising out of products used in applications not expressly intended by JiJie as set forth in applicable JiJie documentation. The sale and use of JiJie products is subject to JiJie terms and conditions of sale, unless otherwise agreed by JiJie.

Information furnished in this document is believed to be accurate and reliable. However, Jiangsu JiJie Microelectronics Co., Ltd. assumes no responsibility for the consequences of use without