



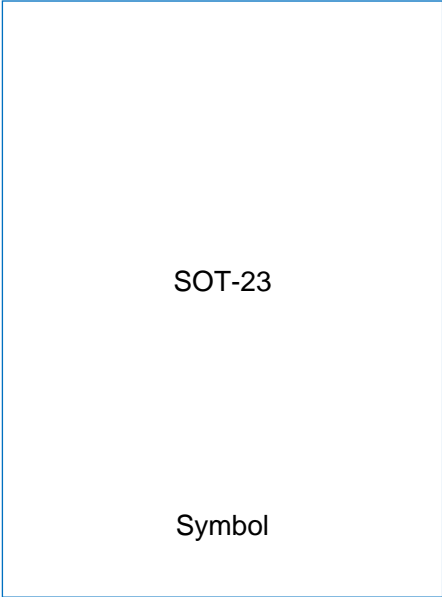
JSPL0240AC

0.2A Schottky Barrier Rectifier

Rev.1.0

DESCRIPTION

- Plastic package has underwriters laboratories flammability classification 94V-0
- For surface mounted applications in order to optimize board space
- Lead free in compliance with EU RoHS 2011/65/EU directive
- Ultra low forward voltage drop
- Low power losses, high efficiency operation
- High current capability and surge capability
- Extremely fast switching speed
- Low thermal resistance package



MECHANICAL DATA

- Case: SOT-23 molded plastic
- Terminals: Solder plated, solderable per J-STD-002

ABSOLUTE MAXIMUM RATING (Rating at 25 ambient temperature unless otherwise specified.)

Parameter	Symbol	JSPL0240AC	Unit
Forward continuous current	I _{FM}	200	mA F
Maximum power dissipation	P _D	200	mW
Maximum junction capacitance V _R =0V,f=1MHz	C _J	5	pF
Operating junction temperature range	T _j	-55 to +125	
Storage temperature range	T _{stg}	-55 to +150	

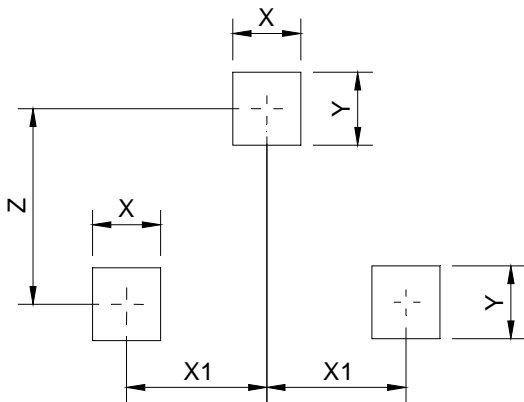
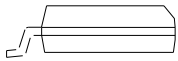


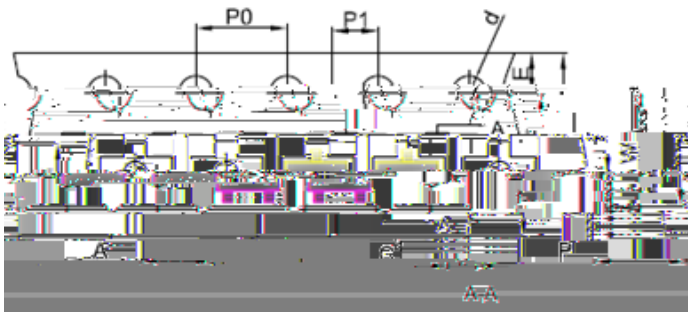
ELECTRICAL CHARACTERISTICS (Rating at 25 ambient temperature unless otherwise specified.)

Parameter	
-----------	--



PACKAGE MECHANICAL DATA



TAPE AND REEL SPECIFICATION SOT 23

Packaging Description:

SOT-23 parts are shipped in tape. The carrier tape is made from a dissipative(carbon filled) polycarbonate resin. The cover tape is a multilayer film(heat activated adhesive in nature)primarily composed of polyester film, adhesive layer, sealant, and anti-static sprayed agent. These reeled parts in standard option are shipped with 3,000units per 7" or 17.8cm diameter reel. The reels are clear in color and made of polystyrene plastic(anti-static coated).

Symbol	Millimeters	Inches
	Typ.	Typ.
A	3.15	0.124
B	2.77	0.109
C	1.22	0.048
d	1.50	0.059
E	1.75	0.069
F	3.50	0.138
P0	4.00	0.157
P	4.00	0.157
P1	2.00	0.079
W	8.00	0.315
D	178	7.008
D1	54.40	2.142
D2	13.00	0.512
G	R78.00	R3.071
H	R25.60	R1.008
I	R6.50	R0.256
W1	9.50	0.374
W2	12.30	0.484

ORDERING INFORMATION

OUTLINE	PACKAGE TYPE	QUANTITY REEL	DESCRIPTION
TAPING	SOT-23	3,000	7 inch reel pack




Information furnished in this document is believed to be accurate and reliable. However, Jiangsu JieJie Microelectronics Co.,Ltd assumes no responsibility for the consequences of use without consideration for such information nor use beyond it.

Information mentioned in this document is subject to change without notice, apart from that when an agreement is signed, Jiangsu JieJie complies with the agreement.

Products and information provided in this document have no infringement of patents. Jiangsu JieJie assumes no responsibility for any infringement of other rights of third parties which may result from the use of such products and information.

This document is the first version which is made in 18-Feb.-2022. This document supersedes and replaces all information previously supplied.

 is a registered trademark of Jiangsu JieJie Microelectronics Co.,Ltd.

Copyright ©2022 Jiangsu JieJie Microelectronics Co.,Ltd. Printed All rights reserved.