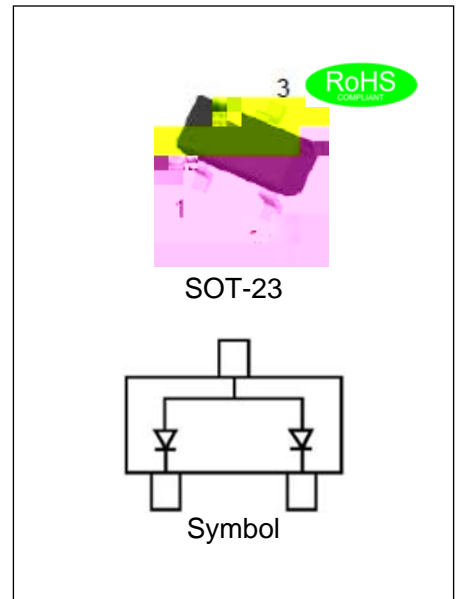


# JIEJIE MICROEL DESCRIPTION

- Plastic package has underwriters laboratories flammability classification 94V-0
- For surface mounted applications in order to optimize board space
- Lead free in compliance with EU RoHS 2011/65/EU directive
- Ultra low forward voltage drop
- Low power losses, high efficiency operation
- High current capability and surge capability
- Extremely fast switching speed
- Low thermal resistance package



## MECHANICAL DATA

- Case: SOT-23 molded plastic
- Terminals: Solder plated, solderable per J-STD-002

## ABSOLUTE MAXIMUM RATING (Rating at 25 ambient temperature unless otherwise specified.)

Parameter	Symbol	JSPL0240AA	Unit
Maximum repetitive peak reverse voltage	$V_{RRM}$	40	V
Maximum working reverse voltage	$V_{RWM}$	40	V
Maximum DC blocking voltage	$V_{DC}$	40	V
Forward continuous current	$I_{FM}$	200	mA
Average rectified output current	$I_o$	200	mA
Peak forward surge current: 8.3ms single half sine-wave superimposed on rated load	$I_{FSM}$	0.6	A
Power dissipation	$P_D$	200	mW
Maximum junction capacitance $V_R=0V, f=1MHz$	$C_J$	5	pF
Operating junction temperature range	$T_j$	-55 to +125	
Storage temperature range	$T_{stg}$	-55 to +150	

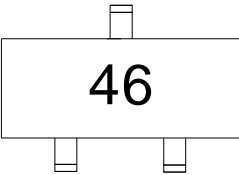
**ELECTRICAL CHARACTERISTICS** (Rating at 25 °C ambient temperature unless otherwise specified.)

Parameter		Symbol	Min.	Typ.	Max.	Unit
Reverse breakdown voltage	$I_R=10\mu A$	$V_{BR}$	40	-	-	V
Reverse voltage leakage current	$V_R=30V$	$I_R$	-	-	200	nA
Forward voltage	$I_F=1mA$	$V_F$	-	-	380	mV
	$I_F=40mA$		-	-	1000	
Reverse recovery time	$I_{rr}=1mA,$ $I_R=I_F=10mA,$ $R_L=100$	$t_{rr}$	-	-	5	ns

**THERMAL RESISTANCES**

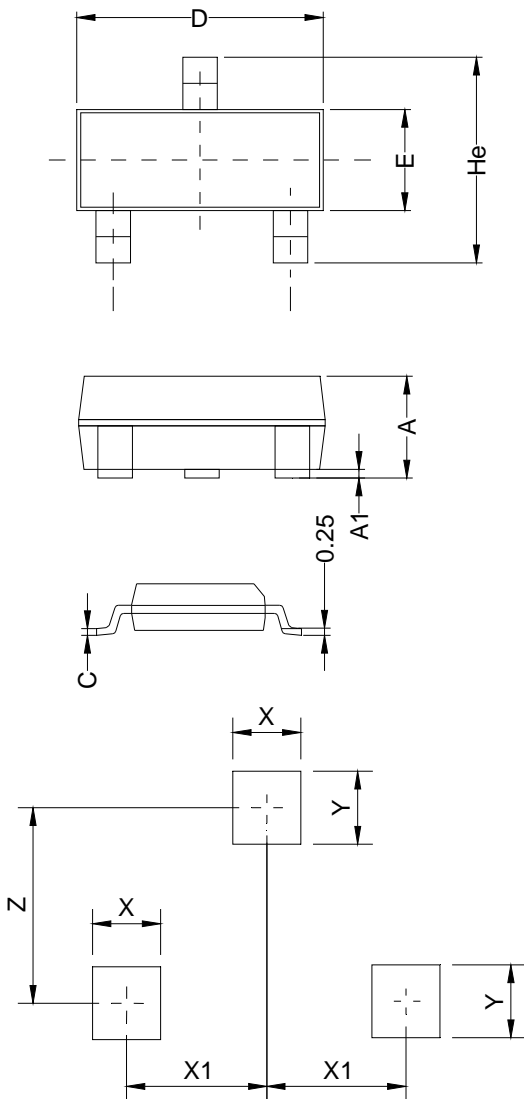
Symbol	Parameter	JSPL0240AA	Unit
$R_{th(j-a)}$	Thermal resistance from junction to ambient	500	/W

**MARKING**

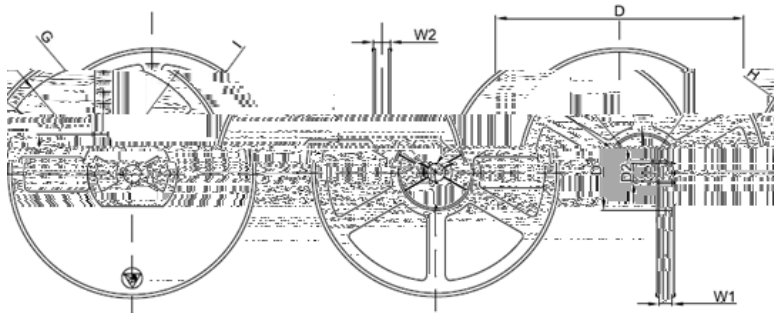
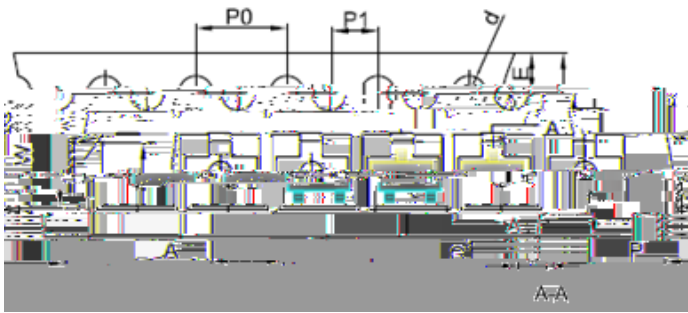
Part Number	Marking Code
JSPL0240AA	



PACKAGE MECHANICAL DATA



d W E Z > ^W /&/ d/KEr^Kdrîï



**Packaging Description:**

SOT-23 parts are shipped in tape. The carrier tape is made from a dissipative(carbon filled) polycarbonate resin. The cover tape is a multilayer film(heat activated adhesive in nature)primarily composed of polyester film, adhesive layer, sealant, and anti-static sprayed agent. These reeled parts in standard option are shipped with 3,000units per 7" or 17.8cm diameter reel. The reels are clear in color and made of polystyrene plastic(anti-static coated).

Symbol	Millimeters	Inches
	Typ.	Typ.
A	3.15	0.124
B	2.77	0.109
C	1.22	0.048
d	1.50	0.059
E	1.75	0.069
F	3.50	0.138
P0	4.00	0.157
P	4.00	0.157
P1	2.00	0.079
W	8.00	0.315
D	178	7.008
D1	54.40	2.142
D2	13.00	0.512
G	R78.00	R3.071
H	R25.60	R1.008
I	R6.50	R0.256
W1	9.50	0.374
W2	12.30	0.484

KZ Z/E' /E&KZD d/KE

OUTLINE	PACKAGE TYPE	QUANTITY REEL	DESCRIPTION
TAPING	SOT-23	3,000	7 inch reel pack




Information furnished in this document is believed to be accurate and reliable. However, Jiangsu JieJie Microelectronics Co.,Ltd assumes no responsibility for the consequences of use without consideration for such information nor use beyond it.

Information mentioned in this document is subject to change without notice, apart from that when an agreement is signed, Jiangsu JieJie complies with the agreement.

Products and information provided in this document have no infringement of patents. Jiangsu JieJie assumes no responsibility for any infringement of other rights of third parties which may result from the use of such products and information.

This document is the first version which is made in 18-Feb.-2022. This document supersedes and replaces all information previously supplied.

 is a registered trademark of Jiangsu JieJie Microelectronics Co.,Ltd.

Copyright ©2022 Jiangsu JieJie Microelectronics Co.,Ltd. Printed All rights reserved.