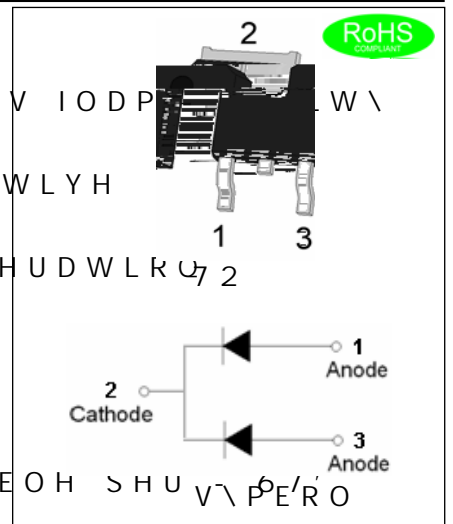


— 3ODVWLF SXCFNHU ZUK WWHUV ODERUDWRULHV IODP W \ W \  
 FODVVLILFDWLRQ 9  
 — /HDG IUHH LQ FBP50LQFH ZLW(KS (GLUHFVLYH  
 — /RZ IRUZDUG YROWDJH GURS  
 — /RZ SRZHU ORVVHV KLJK HIILFLHQF\ RSHUDWLRQ 7 2  
 — +LJK FXUUHQWVGFDSDEHORLWSDELOLW\



O (& + \$ 1 , & \$ / ' \$ 7 \$  
 — & DVH 7 2 PROG HG SODVWLF  
 — 7HUPLODOV 6ROGHU SODWHG VROGHUDEOH SHU V \ P E R O

\$ % 6 2 / 8 7 ( 0 \$ ; , 0 8 0 5 5 \$ 7 , 0 1 \* D W E L H Q W W H P S H U D W X U H U L X E O W S H F L I

3DUDPHWHU	6 \ P E R	- 6 3 .	\$ & 7 & 2	8 0
OD [LPXP UHSHWLWLYH SHDN UH YHUVH YROWDJH	506			9
OD [LPXP 506 YROWDJH	506	9		
OD [LPXP ' & EORFNLOJ YROWDJH	' &	9		
\$YHUDJH IRUZDUG FXUUHQW	) \$ 9	,		\$
3HDN IRUZDUG VXUJHVXUJH OHHQMD OI VLOH ZDYH VXSHULPSRVHG RQ UDWHG ORDG	) 6 0			\$
2SHUDWLQJ MXQFWLRQ WHPSHUDWXUH UDQJH WR				7
6WRUDJH WHPSHUDWXUH UDQJH	v w j		WR 7	

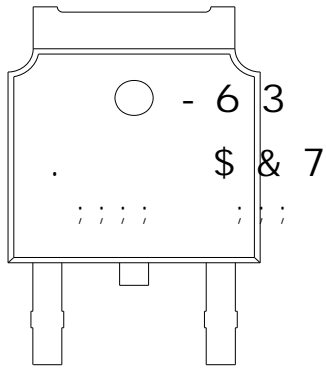
( / ( & 7 5 , & \$ / & + \$ 5 \$ & 7 6 5 , 6 7 0 , J & D W E L H Q W W H P S H U D W X U H U L X E O W S H F L I

3DUDPHWHU	6 \ P E R	O L Q	7 \ S	OD [	8 0
)RUZDUG YROWDJH \$ ,	) 9				
5HYHUVH FXUUHQW 9 5 9 \$ 7 9 5 9 \$ 7	. 5				P \$
- XQFWLRQ FDSDFLWDQJH I 0 + ] 9	-	&			

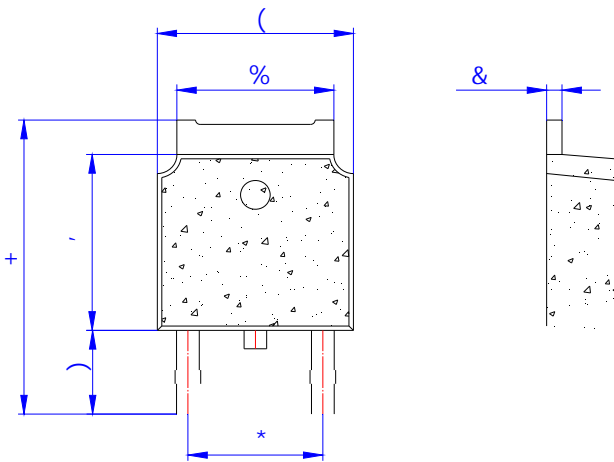
7 + ( 5 0 \$ / 5 ( 6 , 6 7 \$ 1 & ( 6

6 \ P E	3DUDPHWHU	- 6 3 .	\$ & 7 & 2	8 0
5 w k M	7KHUPDO UHVLVWDQFH IURP MXQFWLRQ WR FDVH			:

0 \$ 5 . , 1 \*

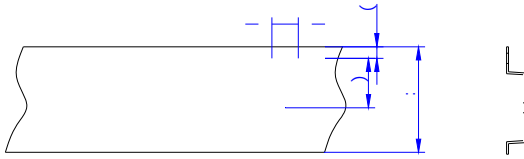


3 \$ & . \$ \* ( 0 ( & + \$ 1 , & \$ / ' \$ 7 \$





7 \$ 3 ( \$ 1 ' 5 ( ( / 6 3 ( & , ) , & \$ 7 , 2 1 7 2



5 HI	'LPHQVLRQV	
	OLOOLPH	WHUV
:		
(		
)		
,		
,		
3		
3		
3		
\$		
%		
.		
W		

,QFKHV

- L H - L H S U R G X F W V I D R U H Q R V V G K H D V Q O O D D O W S X H S X W H H G J L R Z F L W K  
 O L P L W D W L R H Q P D X W W P D R W E N D G H U F R D V O S D F O H O I H I H V D V X I V W D L O L Q J R U  
 D S S O L F D W L R Q V G H Y L F H V L Q W H O G H G R I U R U D Q X U R W K D O I D S S O  
 I D L O X U H R U O D F N L R R O I R H W L K U H S U R R S C E X U S M U P V R Q D O I V L X O N V X U \ G  
 G D P D J H R W K H U W K D Q H W K R R U H W K [ S I O H H D S S U S O G X F D W O G R F X I P H Q W  
 J U D Q W H G E \ - L H - L H R V L I G D O R O U E S H U R G H X F P A X G U S V R N G I O R R U W D I O [ S U H V  
 D S S O L F D E O H H Q W - D W L R R O F X P L H - L H V D Q D O F O O D R P W E R H U O G L D P E D O J H H  
 S U R G X F W V X V H G Q L R O W D H S S S O U L F D W O L A R Q D W W M E V H I G R U E W K L L H Q L D H S S O  
 G R F X P H Q W D W L R Q R I K H L M D I O H S D U O R G G X F A M L V H - L L V H W X H E M P H V V D Q V G F  
 X Q O H V V R W K H G Z E V H L D H J - U L H

, Q I R U P D W L R Q I X U Q R M Q M G L I V Q E W Q L W V G H G D Q R U E H I O D D E X O U H D + R Z  
 - L H - L H O L F U R H O H F D W V R X O P L F W Q R U H W S K H Q F R D V O I T W N Q I R H U V R I  
 F R Q V L G H U D W L R R O P D R W L R Q F O R U Q X V H E H \ R O G L W

, Q I R U P D W L R Q P H Q W P R Q W G L V Q V X V K M V K F O M V W R R F W K I D F O H H D Z S L D W W  
 D J U H H P H Q W L V V L J O H I G R P - S L O L O H W X Z L - W K H - W K H D J U H H P H Q W  
 3 U R G X F W V D Q G L Q I R U P D W L R Q S U R Y I L G H G P H Q W W R L V S G W F H X P A  
 D V V X P H V Q R U H V S R Q Q L E I L O L M P H O R V I D V O R I W K H S D W L W K M W Z K L F  
 X V H R I V X F K S U R G X F W V D Q G L Q I R U P D W L R Q

7 K L V G R F X P H Q W I R Q V K H F K L L W P D S H S L 7 K L V G R F X P H Q W V X S  
 U H S O D F H V D O O L Q I R U P D W L R Q S U H Y L R X V O \ V X S S O L H G



L V D U H J L V W H U B G J W X U D G H P I D H U N D L R R U R I H V O V H G F W U R O  
 & R S \ U L J K W - L D Q J V X - L H R I O H F O V L F U R R H O H V F G W U B W L H O V H H G H S C