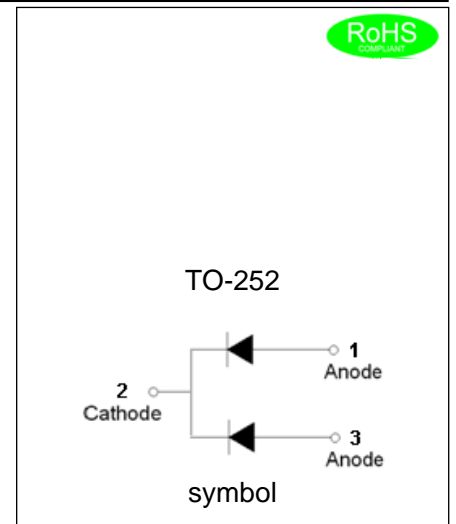




- ✧ Plastic package has underwriters laboratories flammability classification 94V-0
- ✧ Lead free in compliance with EU RoHS 2011/65/EU directive
- ✧ Low forward voltage drop
- ✧ Low power losses, high efficiency operation
- ✧ High current capability and surge capability

MECHANICAL DATA

- ✧ Case: TO-252 molded plastic
- ✧ Terminals: Solder plated, solderable per J-STD-002



ABSOLUTE MAXIMUM RATING (Rating at 25 °C ambient temperature unless otherwise specified.)

Parameter	Symbol	JSPK10100ACT-CO	Unit
Maximum repetitive peak reverse voltage	V_{RRM}	100	V
Maximum RMS voltage	V_{RMS}	70	V
Maximum DC blocking voltage	V_{DC}	100	V
Average forward current	$I_{F(AV)}$	10	A
Peak forward surge current: 8.3ms single half sine-wave superimposed on rated load	I_{FSM}	100	A
Operating junction temperature range	T_j	-55 to +150	
Storage temperature range	T_{stg}	-55 to +150	

ELECTRICAL CHARACTERISTICS (Rating at 25 °C ambient temperature unless otherwise specified.)

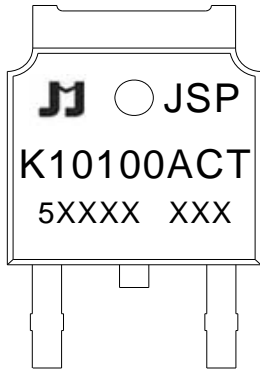
Parameter	Symbol	Min	Typ	Max	Unit
Forward voltage $I_F=5A$	V_F			0.85	V
Reverse curr I				20	
Junction capacitance $V_R=4.0V, f=1MHz$	C_J		112		pF

THERMAL RESISTANCES

Symbol	Parameter	JSPK10100ACT-CO	Unit
$R_{th(j-c)}$	Thermal resistance from junction to case	6.5	/W



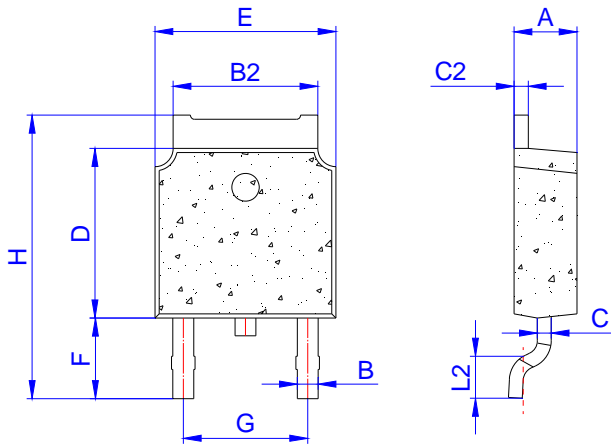
MARKING



JS	Schottky Barrier Rectifier
P	Planar technology
K	Package: TO-252
10	$I_{F(AV)}=10A$
100	$V_{RRM}:100V$
A	Version
CT	Common cathode

5	Year code(4:2024,5:2025,.....)
XX	Week code
XX	Chip code
XXX	Package lot number

PACKAGE MECHANICAL DATA

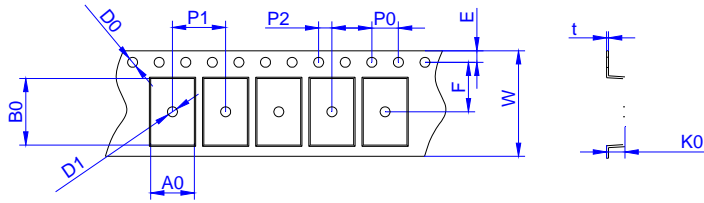


TO-252

Ref.	Dimensions					
	Millimeters			Inches		
	Min.	Typ.	Max.	Min.	Typ.	Max.
A	2.10	2.30	2.50	0.083	0.091	0.098
B	0.66	0.76	0.86	0.026	0.030	0.034
B2	4.98	5.28	5.58	0.196	0.208	0.220
C	0.405	0.505	0.605	0.016	0.020	0.024
C2	0.37	0.52	0.67	0.015	0.020	0.026
D	5.80	6.10	6.40	0.228	0.240	0.252
E	6.30	6.60	6.90	0.248	0.260	0.272
F	2.655	2.905	3.155	0.105	0.114	0.124
G		4.54			0.179	
H	9.90	10.20	10.50	0.390	0.402	0.413
L2		2.00			0.079	



TAPE AND REEL SPECIFICATION-TO-252



Ref.	Dimensions	
	Millimeters	Inches
W	16.00±0.30	
E	1.75±0.10	0.069±0.004
F	7.50±0.10	0.295±0.004
D0	1.50±0.10	0.059±0.004
D1	1.50±0.10	0.059±0.004
P0	4.00±0.10	0.157±0.004
10P0	40.00±0.20	1.59 ±
P1	8.00±0.10	0.315±0.004
P2	2.00±0.10	0.079±0.004
A0	6.96±0.10	0.274±0.004
B0	10.49±0.10	0.413±0.004
K0	2.77±0.10	0.109±0.004
t	0.30±0.05	0.012±0.002



JieJie products are not designed for, and shall not be used for, any purpose (including, without limitation, automotive, military, aerospace, medical, life-saving, life-sustaining or nuclear facility applications, devices intended for surgical implant into the body, or any other application in which the failure or lack of desired operation of the product may result in personal injury, death, or property damage) other than those expressly set forth in applicable JieJie product documentation. Warranties granted by JieJie shall be deemed void for products used for any purpose not expressly set forth in applicable JieJie documentation. JieJie shall not be liable for any claims or damages arising out of products used in applications not expressly intended by JieJie as set forth in applicable JieJie documentation. The sale and use of JieJie products is subject to JieJie terms and conditions of sale, unless otherwise agreed by JieJie.

Information furnished in this document is believed to be accurate and reliable. However, Jiangsu JieJie Microelectronics Co., Ltd. assumes no responsibility for the consequences of use without consideration for such information nor use beyond it.

Information mentioned in this document is subject to change without notice, apart from that when an agreement is signed, Jiangsu JieJie complies with the agreement.

Products y p ou â tati... on Â ti su P pl á es no Fponsibility for
i e J