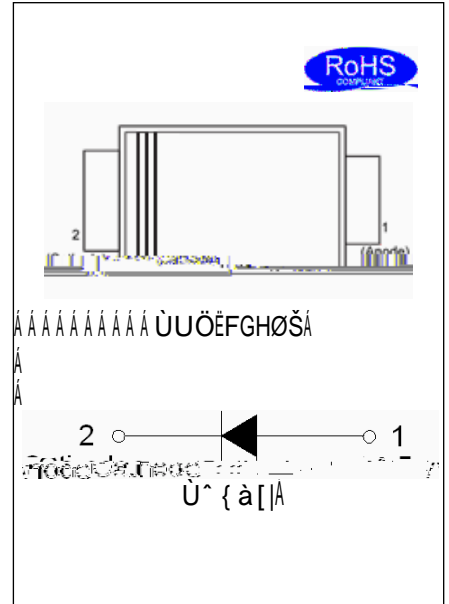


JIEJIE MICROELECTRONICS CO., LTD.

MECHANICAL DATA

1. Dimensions are in millimeters.
 2. Lead spacing is 0.5mm.
 3. Lead length is 1.0mm.
 4. Lead thickness is 0.1mm.
 5. Lead width is 0.2mm.
 6. Pad diameter is 0.5mm.
 7. Pad thickness is 0.1mm.
 8. Pad width is 0.2mm.
 9. Pad length is 0.5mm.
 10. Pad spacing is 0.5mm.



MECHANICAL DATA

Parameter	Symbol	Min	Typ	Max	Unit
Lead length	L	1.0	1.0	1.0	mm
Lead thickness	t	0.1	0.1	0.1	mm
Lead width	w	0.2	0.2	0.2	mm
Pad diameter	φ	0.5	0.5	0.5	mm
Pad thickness	t _p	0.1	0.1	0.1	mm
Pad width	w _p	0.2	0.2	0.2	mm
Pad length	L _p	0.5	0.5	0.5	mm
Pad spacing	S _p	0.5	0.5	0.5	mm

ELECTRICAL CHARACTERISTICS

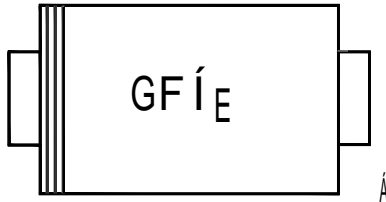
Parameter	Symbol	Min	Typ	Max	Unit
Operating voltage	V _o	1.8	1.8	1.8	V
Operating current	I _o	10	10	10	mA
Storage temperature	T _{stg}	-40	25	85	°C



THERMAL RESISTANCES

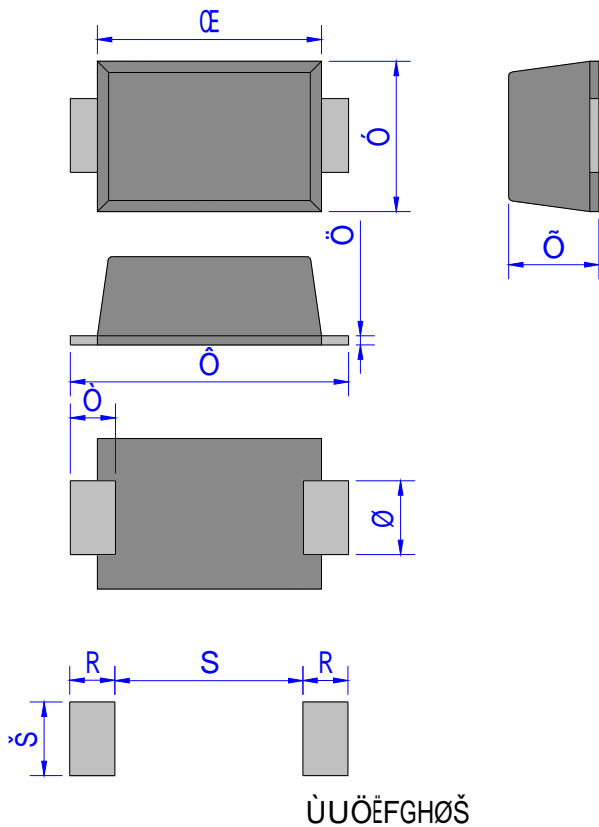
Symbol	Parameter	JSPI2150A	Unit
θ_{j-c}	$V_{\theta} \{ \{ \text{æ} \text{Á} \text{^} \cdot \text{j} \cdot \text{cæ} \} \& \text{^} \cdot \text{Á} \cdot \text{!} [\{ \text{Á} \text{b} \sim \} \& \text{c} \text{á} [\text{ } \} \text{Á} \text{c} [\text{Á} \text{æ} \{ \text{à} \text{ä} \text{^} \} \text{c} \text{Á} \}$	1.1	$^{\circ}\text{C/W}$

MARKING



G	QøççexokGCE
F1A	XÜÜTKF1EXÁ
AAAAAAE	Ö@á]Á&[á^Á

PACKAGE MECHANICAL DATA

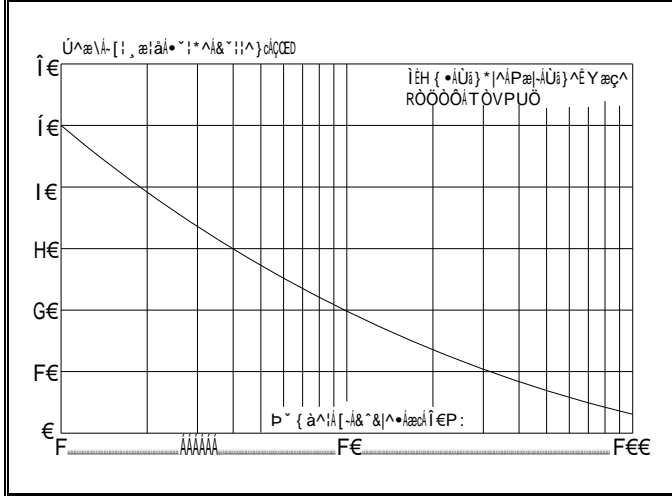


Ü^-É	Öä { ^ } • ä [] •			
	Tá]ä { ^c^! •		Q} & @ ^ •	
	Tá}É	TæçÉ	Tá}É	TæçÉ
æ	GÊI€	HÊ€€	€ÊFEG	€ÊFFÌ
ó	FÊI€	GÊ€€	€Ê€ÎH	€Ê€ÏJ
ô	HÊI Í	HÊJ Í	€ÊFHÎ	€ÊFÎÎ
ö	€ÊF€	€ÊG Í	€Ê€€I	€Ê€F
ò	€ÊH	€ÊJ	€Ê€FG	€Ê€HÍ
ø	€ÊI€	FÊG€	€Ê€HF	€Ê€IÏ
õ	€ÊJ Í	FÊH Í	€Ê€HÏ	€Ê€ÍH
R	FÊH€		€Ê€ÍF	
S		FÊÏ€		€Ê€ÏÏ
š	FÊH€		€Ê€ÍF	

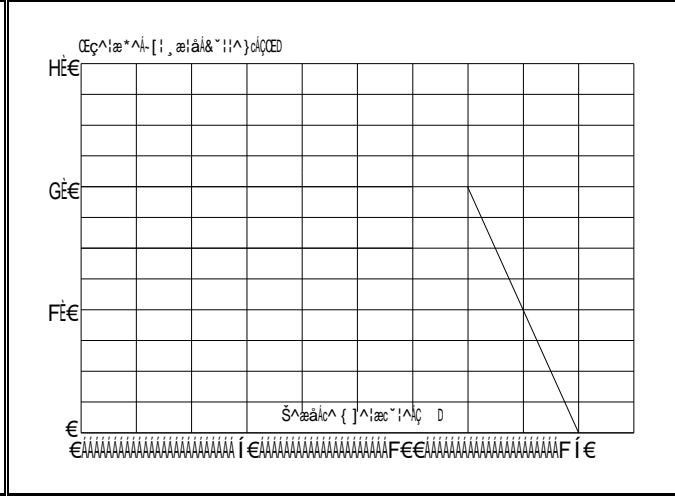


CHARACTERISTICS CURVE

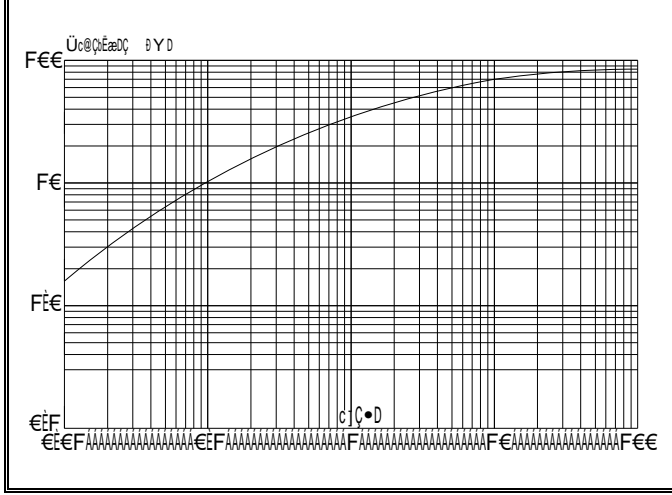
000EHKATæç { ~ { Á } [] È: ^ ^ cáçç^Á ^æ\Á- [! , æ|áá• ~ ! * ^ Á & ~ ! ! ^ } çÁ



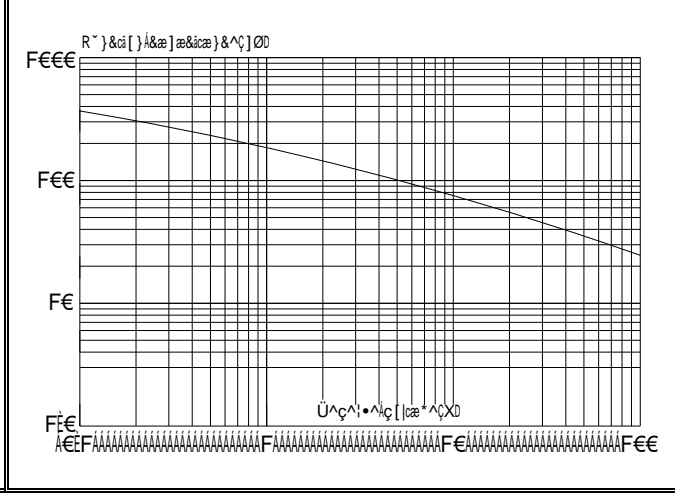
000È!KÁØ [! , æ|áá& ~ ! ! ^ } çÁ^!æçá } * Á & ~ ! ç^Á



000È!KÁTæçá { ~ { Áç:æ } •á^ } çÁç@^! { æ|Áá [] ^áæ } & ^ Á



000È!KÁV^] á&æ|Áb ~ } & çá [] Á&æ] æ&áçæ } & ^ Á





Rā^Rā^Á] ; [a~&c•Áæ!^Á } [cÁá^•ā* } ^áÁ- [!ÉÁæ } áÁ•@æ||Á } [cÁà^Á~•^áÁ- [!ÉÁæ } ^Á] ~! ; [•^Áçã } &|~áã } *ÉÁ , áç@ [~cÁ
 |á { áçæcá [} ÉÁæ~c [{ [cÁç^ÉÁ { á|áçæ!~ÉÁæ^! [•] æ&^ÉÁ { ^áã&æ|ÉÁ|á-^É•æçã } *ÉÁ|á-^É•~•çæã } á } *Á [!Á] ~&|æ!Á-æ&á|áç~Á
 æ]] |á&æcá [} •ÉÁá^çã&^Áã } c^ } á^áÁ- [!Á•~! *á&æ|Áã } [] |æ } cÁã } c [Áç@^Áà [á^ÉÁ [!Áæ } ^Á [c@^!Áæ]] |á&æcá [} Áã } Á
 , @á&@Áç@^Á-æã!~!^Á [!Á|æ&\Á [-Áá^•á!^áÁ [] ^!æcá [} Á [-Áç@^Á] ; [á~&cÁ { æ^Á!^•~|cÁã } Á] ^!• [} æ|Áã } b~!~ÉÁá^æç@ÉÁ
 [!Á] ; [] ^!c^Ááæ { æ*^DÁ [c@^!Áç@æ } Áç@ [•^Á^ç } !^••|^Á•^cÁ- [!c@Áã } Áæ]] |á&æà|^ÁRā^Rā^Á] ; [á~&cÁ
 á [&~ { ^ } çæcá [} ÉÁ Y æ! ; æ } cā^•Á*!æ } c^áá^Á~ÁRā^Rā^Á•@æ||Áá^Áá^ { ^áÁç [áá- [!Á] ; [á~&c•Á~•^áÁ- [!Áæ } ^Á
] ~! ; [•^Á } [cÁ^ç } !^••|^Á•^cÁ- [!c@Áã } Áæ]] |á&æà|^ÁRā^Rā^Áá [&~ { ^ } çæcá [} ÉÁRā^Rā^Á•@æ||Á } [cÁà^Á|áæà|^Á- [!Á
 æ } ^Á&|æã { •Á [!Ááæ { æ*^•Áæ!á•á } *Á [~cÁ [-Á] ; [á~&c•Á~•^áÁá } Áæ]] |á&æcá [} •Á } [cÁ^ç } !^••|^Áã } c^ } á^áÁà^Á
 Rā^Rā^Ááæ•Á•^cÁ- [!c@Áã } Áæ]] |á&æà|^ÁRā^Rā^Áá [&~ { ^ } çæcá [} ÉÁV@^Á•æ|^Áæ } áá~•^Á [-ÁRā^Rā^Á] ; [á~&c•Áá
 •~àb^&cÁç [ÁRā^Rā^Áç^! { •Áæ } áÁ& [} áãcá [} •Á [-Á•æ|^ÉÁ~ }] |^••Á [c@^! , á•^Áæ*!^ááÁ~ÁRā^Rā^ÉÁ
 Q } - [! { æcá [} Á~! } á•@^áÁã } Áç@á•Áá [&~ { ^ } cÁã•Áá^|á^ç^ááÁç [Áà^Áæ&&~!æç^Áæ } áÁ!^|áæà|^ÉÁP [, ^ç^!ÉÁ