

- , ( - , ( 0 , & 5 2 ( / ( & 7 5 2 1 , & 6

0 (& + \$ 1 , & \$ / ' \$ 7 \$

— & DVH 7 2      PROGHG SODVWLF

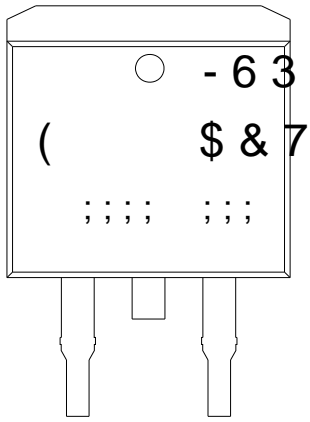
— 7HUPLQDOV 6ROGHU SODWHG VROGHUDEOH SHU - 67'

\$ % 6 2 / 8 7 ( 0 \$ ; , 0 8 0 5 \$ 7 5 1 \* W L Q J D D P E L H Q W W H P S H U B W K H H Z X Q H W S H F L I L

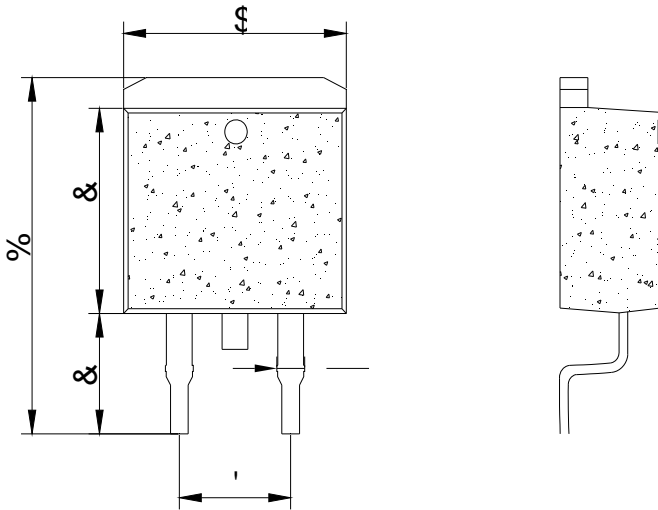
3DUDPHWHU	6\PER	-63( \$&7 &2	8QL
0D[LPXP UHSHWLWLYH SHDN UHYHU	VH55R	OWDJH	9 9
0D[LPXP 506 YROWDJH	506	9	9
0D[LPXP '& EORFNLQJ YROWDJH	'&	9	9
\$YHUDJH IRUZDUG FXUUHQW	) \$9	,	\$

3HDN IRUZDUG VXUBM FXQUQWDOI VLQHHHHHHHHHHHHH0

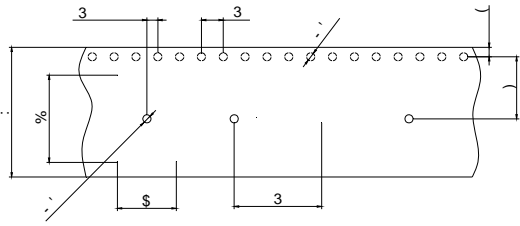
0 \$ 5 . , 1 \*



3 \$ & . \$ \* ( 0 ( & + \$ 1 , & \$ / ' \$ 7 \$



7\$3( \$1' 5((/ 63(&,) ,&\$7,21 72



&6p V @ "c` (\*L „ 5 HI 2Ç ! €! 18 % 81 Q 8 8 % P 8 6 0 L \* 5 6 1 ' 5 , M 2 8 A € s Ä ' B 0 0 ß 6 s • € “

“  
“  
“  
“  
“  
“  
“  
“

-LH-LH SURGXFWV DLRUQBGGVHKDQQHCRQW SXUSXGULQD FZLWKR  
OLPLWDWLRQ DIXOLRPRUWLPHGRFVSDQQLCHLNDVKVWDLQLQJ RU Q  
DSSOLFDWLRQV GHYLFHV LQWHQGHG I RU VXUJRWKELDSSDQW  
IDLOXUH RU ODFN IRRQG R V WUKHG SURGXFWV HPDARQHDVOX DQMXU\ GHD  
GDPDJH RWKHU WKDQVWWWRIRHUWKS UQVSSORFGXFOH GRFXPHQW  
JUDQWHG E\ -LH-LH WRDGOIREH SURGXFWV X UKS/RHGHIRBVDQ[SUHVVO  
DSSOLFDEOH -HGLDWLGRXPLH-LH VKDQOFQDWPVHRQLEBDBDJHRU  
SURGXFWV XVHG QRDSSSUFHDWRQDQVWQGHGIRUWLKILQDSSOLF  
GRFXPHQDWLRQ 7KH-VBOLHDSQRGXFRW-VLHL-VXEHUHFWDQGGFRQ  
XQOHVV RWKHHUZIEVHLHUWH  
,QIRUPDWLRQ IXUQXFKQW LQ WKOVLGYMFB DQGEUHDQFLXELDH +RZH  
-LH-LH OLFURHOHFWDVROLFHV&QR UWGSVKQVEEQDHWXHQFHV RI X  
FRQVLGHUDWLRQDPRWLRQKQIQIXVH EHRQG LW  
,QIRUPDWLRQ PHQWRQGW LQ WKEMHGFRRXWRGRDQFH ZDSDUW IU  
DJUHHPHQW LV VLJQHGFREPSQLWX-ZLHWK WKH DJUHHPHQW  
3URGXFWV DQG LQIRUPDWLRQ SURYLGHGJHRHQWL RIGRFXPHQW  
DVVXPHV QR UHVSRLQLELOLQWPHRQWRQ WWKHGS DUKMMV ZKLFK  
XVH RI VXFK SURGXFWV DQG LQIRUPDWLRQ  
7KLV GRFXPHQW LROZKLFK WLPDGH 7KLV GRFXPHQW VXSH  
UHSODFHV DOO LQIRUPDWLRQ SUHYLRXVO\ VXSSOLHG  
LV D UHJLVWHUHGDQWVXGHPLDUNORLIFURHOWEHWURQLFV  
&RS\ULJKW-LDQJVX -LH-LHRQLFVR&RHFWG 3ULQMMBSYCHG