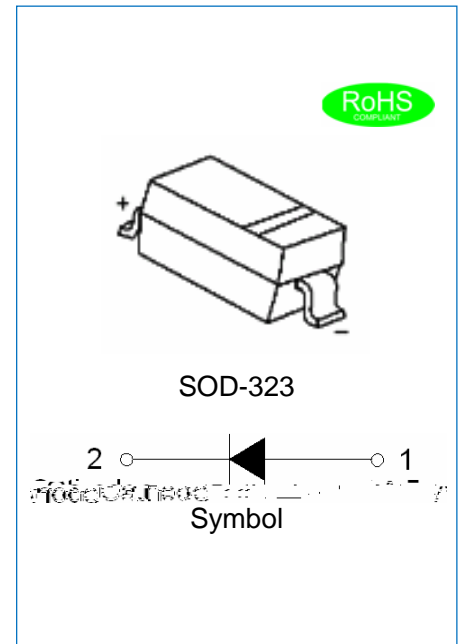


Plastic package has underwriters laboratories flammability classification 94V-0
 For surface mounted applications in order to optimize board space
 Lead free in compliance with EU RoHS 2011/65/EU directive
 Ultra low forward voltage drop
 Low power losses, high efficiency operation
 High current capability and surge capability
 Low thermal resistance package



MECHANICAL DATA

Case: SOD-323 molded plastic
 Terminals: Solder plated, solderable per J-STD-002
 Polarity: Color band denotes cathode end

ABSOLUTE MAXIMUM RATING (Rating at 25 ambient temperature unless otherwise specified.)

Parameter	Symbol	JSPD140A	Unit
Maximum repetitive peak reverse voltage	V_{RRM}	40	V
Maximum RMS voltage	V_{RMS}	28	V
Maximum DC blocking voltage	V_{DC}	40	V
Maximum average forward current load	I_{FSM}	9	A
Power dissipation	P_D	250	mW
Operating junction temperature range	T_j	-55 to +125	
Storage temperature range	T_{stg}	-55 to +150	

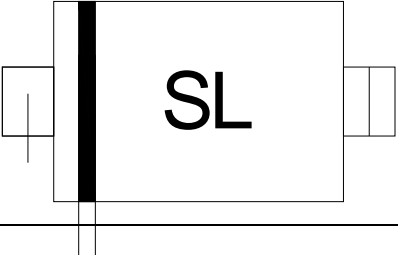
ELECTRICAL CHARACTERISTICS (Rating at 25 ambient temperature unless otherwise specified.)

Parameter	Symbol	Min	Typ	Max	Unit
Reverse breakdown voltage	V_{BR}	40			V
Forward voltage	V_F	$I_F=1A$		0.6	V
		$I_F=3A$		0.9	
Reverse voltage leakage current	I_R			30	μA
Junction capacitance	C_J			120	pF

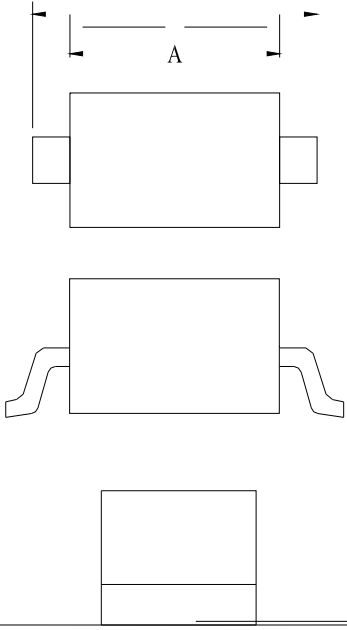
--	--	--	--

Symbol	Parameter	JSPD140A	Unit
$R_{th(j-a)}$	Thermal resistances from junction to ambient	400	/W

MARKING

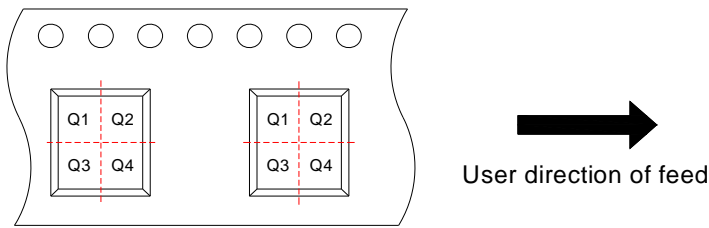
Part Number	Marking Code
JSPD140A	

PACKAGE MECHANICAL DATA





TAPE AND REEL INFORMATION SOD 323



Pin 1 quadrant: Q1&Q2

ORDERING INFORMATION

OUTLINE	Package	Reel Size	Quantity Per Reel
TAPING	SOD-323	7 Inch	3,000 pcs



CHARACTERISTICS CURVE

FIG.1: Forward characteristics (25 °C)

FIG.2: Reverse characteristics

