



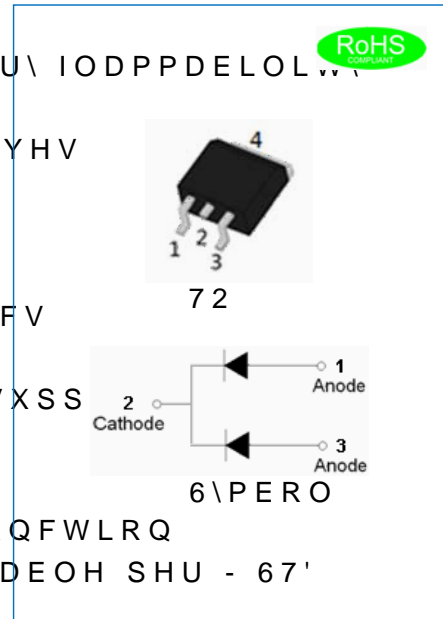
JPCR2003ECT

EPI PLANAR HYPERFAST SOFT RECOVERY RECTIFIER

Rev.1.1

DESCRIPTION

- 3ODVWLF SDFQNDH HZKULWHUV ODERUDWRU\ IODPPDELOLW\ FODVVILFDWLRQ 9
- /HDG IUHH LQ FRPSOH ZLWK ((8 GLUHFWLYHV
- /RZ UHYHUVH OHDNDJH FXUUHQW
- +\SHUIDVW UHFYRYHU\ WLPH
- (SLWD[LDO SODQDU WHFKQRORJ\
- WK *HQHUDWLRQYMRIFKDWVDFULVWLFV
- /RZ UHFYRYHU\ ORVV
- 2XWSXW UHFWLILQFV VZLWIRJHCSRZKHUWXSS



MECHANICAL DATA

- &DVH 72 PROGHIS SDWVLF DWHG MXQFWLRQ
- 7HUPLQDOV 6ROGHU SODWHG VROGHUDEOH SHU - 67'
- :HLJKW JUDP

ABSOLUTE MAXIMUM RATING 5DWLQJ DDP ELHQW WHP SHU DWKHUZXQ OHSFL

| Parameter | Symbol | JPCR2003ECT | Unit |
|--|--------------|-------------|------|
| 0D[LPXP UHSHWLWLYH SHDN UHYHU VH YROWDJH 3LQ a RU 3LQ a | V_{9550} | | 9 |
| 0D[LPXP '& EORFNLQJ YROWDJH 3LQ a 'RU 3LQ a | | | 9 9 |
| \$YHUDJH IRUZDUG FXUHQW aDW 7 | I_{95} | | \$ |
| 3HDN IRUZDUG VXUPM VFXUHQW DOI VXSHULPSRVHGDG Q3UQW H G UBLQ a | V_{LQZDYH} | | \$ |
| -XQFWLRQ WHP SHU DWKHUZXQ OHSFL | | | |

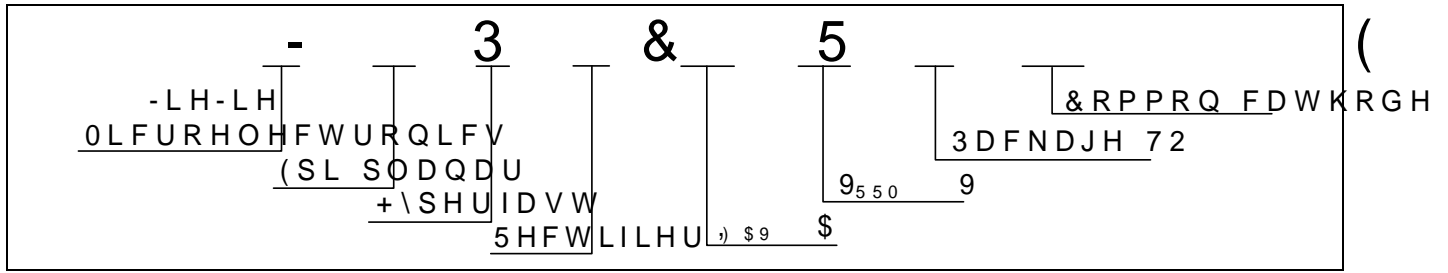
| | | | 7\S | 0D[| 8QL |
|----------------------------------|----------|----------|-----|-----|-----|
|)RUZDUG YROWDJH 3LQ a RU 3LQ a | I_{95} | \$ 7 | 9) | | 9 |
| | I_{95} | \$ 7 | | | |
| 5HYHUVH OHDNDJH 3LQ a RU 3LQ a | V_{95} | 9 7 | 5 | | \$ |
| | V_{95} | 9 7 | | | |
| 5HYHUVH UHFYRYHU\ 3LQ a RU 3LQ a | V_{95} | \$ 9 | | | |
| | V_{95} | \$ M V 7 | | | |

ELECTRICAL CHARACTERISTICS

5DWLQJ DDPELHQW WHPSHRJD M/KWZL XQ Q/SVFLILHG FRQWLQXHG

| Parameter | Symbol | Min. | Symbol |
|-----------|--------|------|--------|
|-----------|--------|------|--------|

ORDERING INFORMATION



PACKAGE MECHANICAL DATA

'LPHQVLRQV

) , * 5HYHUWHUH6RILQLW

