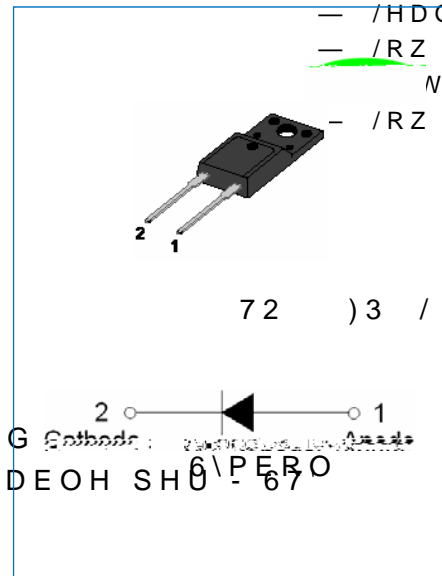




JEUR1506FPL
EPI ULTRAFAST SOFT RECOVERY RECTIFIER

Rev



MECHANICAL DATA

- &DVH 72)3 / PR OFGRIGH S ODDAWWLYDWHG
- 7HUPLQDOV 6ROGHU SODWHG VROGHUDEOH SHU
- :HLJKW JUDP

ABSOLUTE MAXIMUM RATING

Table with 4 columns: Parameter, Symbol, JEUR1506FPL, Unit. Contains absolute maximum ratings for various parameters.

ELECTRICAL CHARACTERISTICS

Table with 6 columns: Parameter, Symbol, Min., Typ., Max., Unit. Contains electrical characteristics for the device.

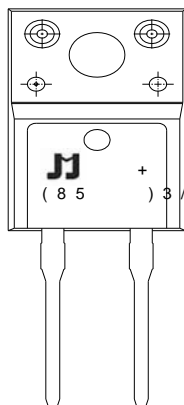
ISOLATION CHARACTERISTICS

Symbol	Parameter	Conditions	Min.	Typ.	Max.	Unit
9LVRO 506	506 LVRODWLRQ	+]" ” +] 5+” IURP DOO SLQV WR H[WHUQDO KHYDROWQNH VLQXVRLGDO ZDYHIRUP FOHDQ DQG GXVW IUHH				9
&LVRO	,VRODWLRQ	IURP FDWKRGH WR H[WHUQDO DSDFLWDQFH KHDWVLRQ				S)

THERMAL RESISTANCES

Symbol	Parameter	Min.	Typ.	Max.	Unit
5WK M	F-XQFWLRQ WR FDUH VWKWHUQDO				:

MARKING



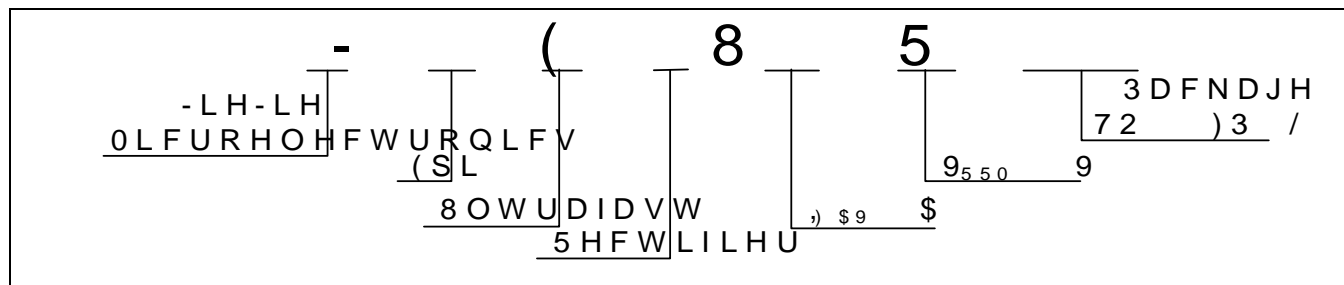
(85	(3, 80WUDIDVW 5HFRYHU
	, \$9 \$
	9550 9
) 3/	3DFNDJH 72) 3 /

x+ 0RQWK a \$ % &

+		-	.	/	0	1
2	3	4	5	6	7	«

+x %DWFK QXPEHU

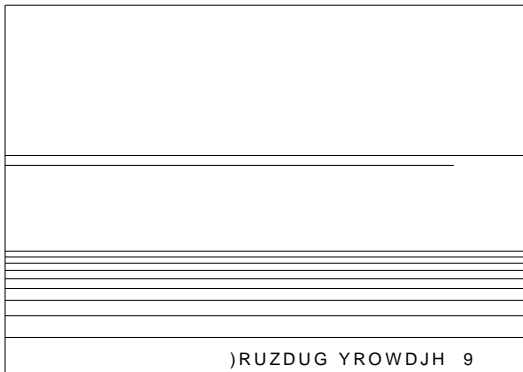
ORDERING INFORMATION



CHARACTERISTICS CURVE

), * 7\SLFDO IRUZDUG FKD), * 7\SLFDO UHYHUVH FK[

,QVWDQWDQHRXV IRUZDUG FXUUHQW \$



-LH-LH SURGXFV DLRUQBGGVKDQOHCQW SXUSVXGULQDFZLWK
OLPLWDWLRQ DIXOLRPRUWLPHGRF/SOQDLCHLDYXVWDLQLQJ RU
DSSOLFDWLRQV GHYLFHV LQWHQGHC\ IRU DXUJRWKULPSSDQ
ZKLFK WKH IDLOGHWHLRHHGORSNURDWLRQ\ RIHWKQVSURGSXFWWRQD
GHDWK RU SURSHUVKDGDPDRMHFM/SUHLVWDSSEWFDELMK-LH-LH
GRFXPHQWDWLRQ :DEUQLQWLH W K D D Q V H H G U H S P I R G X F R V X V H G
SXUSRVH QRW H[SUHDV/SOLFDWLRQ\ B B W K P R Q W L W - L H V K D O O Q R W
DQ\ FODLPV RU GDPVJRM SURGXQWR XROHG QRWD BSSULFDWLRQ\ LQ
-LH-LH DV VHW IRU-WK-LR GBSØPFDQVQHWLRQ 7KH VDO