



-, (-, (0, & 5 2 (/ (& 7 5 2 1, & 6 & 2 /

-(& 5) 3 /

(3, + < 3 (5) \$ 6 7 6 2) 7 5 (& 2 9 (5 < 5 (& 7,), (5

5HY

'(6 & 5, 3 7, 2 1

— 3 0 D V W L F S D F Q I G H H Z K U L W H U V O D E R U D W R U \ I O D P P D E L O L . . .
F O D V V L I L F D W L R Q 9

— / H D G I U H H L Q F R P S O A Z L W K ((8 G L U H F W L Y H V

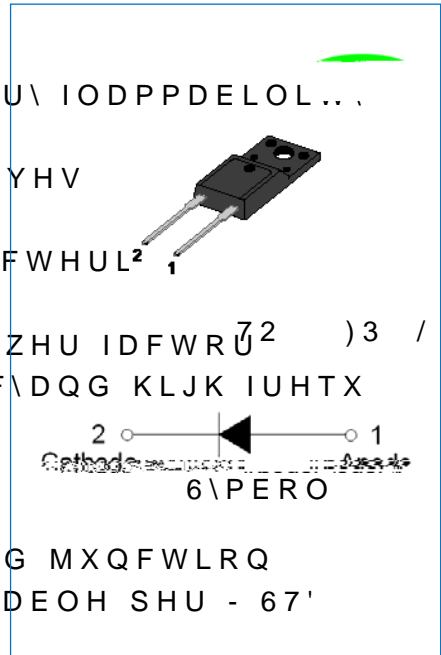
— / R Z U H Y H U V H O H D N D J H F X U U H Q W

— + \ S H U I D V W U H F R V R U W W H F R Y D Q G F K D U D F W H U L 2 1

— / R Z U H F R Y H U \ O R V V

— \$ S S O L F D W L R Q V I R U U H F Q W P L Q G X & & X S R Z H U I D F W R U 7 2) 3 /
F R U U H F W L R Q 3) & L Q D F W L F R I Q 3) & W L R Q H Q F \ D Q G K L J K I U H T X

V Z L W F K H G P R G H S R Z H U V X S S O L H V



0 (& + \$ 1, & \$ / '\$ 7 \$

— & D V H 7 2) 3 / P R O F G R Y H G S O S D W W L Y D W H G M X Q F W L R Q

— 7 H U P L Q D O V 6 R O G H U S O D W H G V R O G H U D E O H S H U - 6 7'

— : H L J K W J U D P

\$ % 6 2 / 8 7 (0 \$; , 0 8 0 5 \$ 7 5 1 * W L Q J D W P E L H Q W W H P S H U D W X U H X Q O H

		-(& 5) 3 /	8 Q L
0 D [L P X P U H S H W L W L Y H S H D N U H Y H U V H Y R O W D J H			9 9
0 D [L P X P ' & E O R F N L Q J Y R O W D J H	' &	9	9
\$ Y H U D J H I R U Z D U G F X U U H Q W D W 7	,) \$ 9		\$
3 H D N I R U Z D U G V X U P M F L Q U O H Q W D O I V L Q H Z D Y H V X S H U L P S R V H G R Q U D W H G O R D G	,) 6 0		\$
3 H D N I R U Z D U G V X U P M F L Q U O H Q W D O I V L Q H Z D Y H V X S H U L P S R V H G R Q U D W H G O R D G	,) 6 0		\$
- X Q F W L R Q W H P S H U D W X U H Y R O W D J H W R			



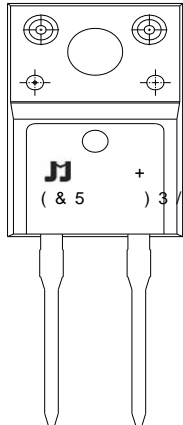
-(& 5) 3 /

 - LH-LH 0LFURHOHFWURQL

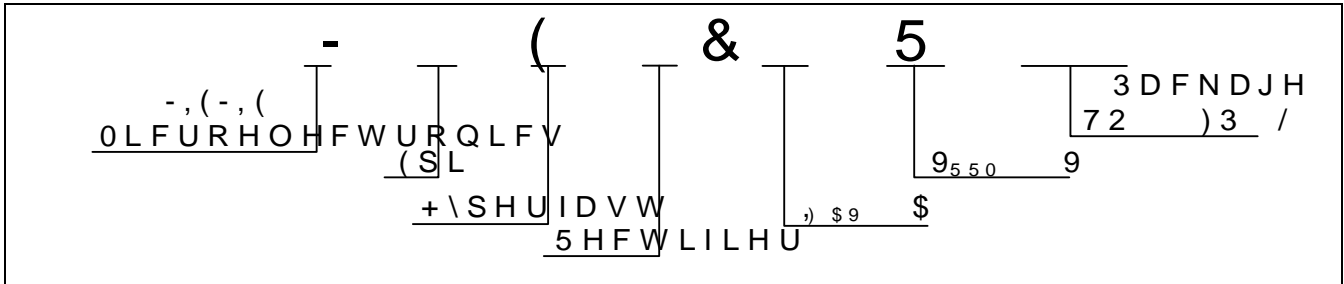
0\$5., 1*

(& 5 | (3, + \SHUIDVW 5HFRYHU \ 5

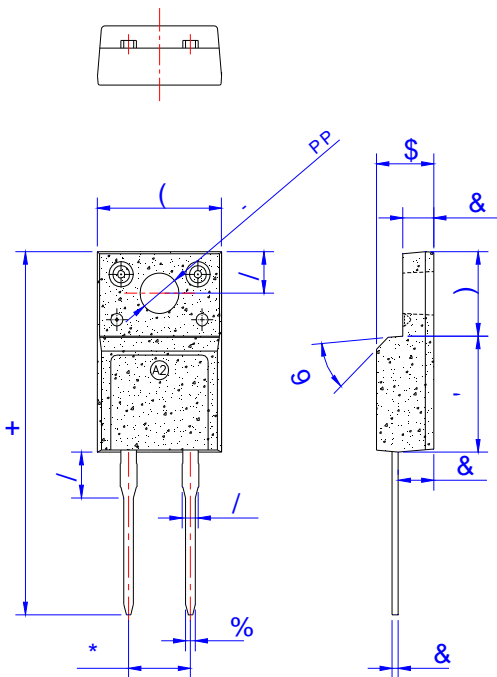
p) r™,fi0EYs` r• Fnó ... „BX& „, & 9



25' (5, 1* , 1) 250\$7, 21



3\$& . \$* (0(&+\$1, &\$ / '\$7\$



5HI	'LPHQVLRQV				
	0LOOLPHWHUV ,QFKHV				
	0LQ	7\S	0D[0LQ 7\S	0D[
\$					
%					
&					
&					
&					
'					
(
)					
*					
+					
/					
/					
/					
9		f		f	

-(& 5) 3 /



-LH-LH 0LFURHOHFWURQL

3\$&.\$*(,1)250\$7,21 72)3 /

287/,1(81,7 : (, * + 7 J 3&6 7 < 3	78% (3&6	3(5 & \$ 5721 3&6
78% (

& + \$ 5 \$ & 7 (5 , 7 , & 6 & 8 5 9 (

), * 7 \ SLFDO IRUZDUG FK), * 7 \ SLFDO UHYHUVH FK
<p>,QVWDQWDQHRXV IRUZDUG FXUUHQW \$</p> <p>)RUZDUG YROWDJH 9</p>	<p>,QVWDQWDQHRXV UHYHUVH FXUUHQW</p> <p>3HUFHQWDJH RI SHDN UHYHUVH YROWDJH</p>
), * 0 D [L P X P Q R I Q Y H H S S H D W N L W R U Z FXUUHQW PV VLQJOH KD), * 0 D [L P X P Q R I Q Y H H S S H D W N L W R U Z FXUUHQW PV VLQJOH KD
<p>3HDN IRUZDUG VXUJH FXUUHQW \$</p> <p>1XPEHU RI FFOHV DW +]</p>	<p>3HDN IRUZDUG VXUJH FXUUHQW \$</p> <p>1XPEHU RI FFOHV DW +]</p>



), *)RUZDUG FXUUHQW GH

), * 5HYHUVH UHFRYHU\

\$YHUDJH IRUZDUG FXUUHQW \$

