

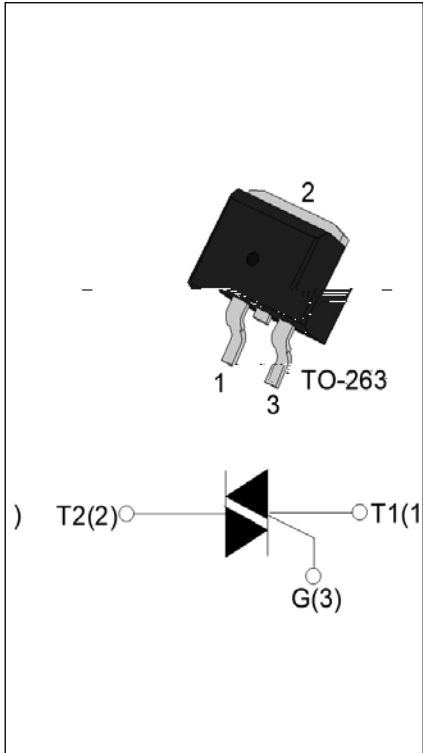


T0435H-8E 4A TRIAC

Rev.A.1.0

DESCRIPTION:

1. T0435H-8E 4A TRIAC  
 2. 4A TRIAC  
 3. 4A TRIAC  
 4. 4A TRIAC  
 5. 4A TRIAC  
 6. 4A TRIAC  
 7. 4A TRIAC  
 8. 4A TRIAC  
 9. 4A TRIAC  
 10. 4A TRIAC  
 11. 4A TRIAC  
 12. 4A TRIAC  
 13. 4A TRIAC  
 14. 4A TRIAC  
 15. 4A TRIAC  
 16. 4A TRIAC  
 17. 4A TRIAC  
 18. 4A TRIAC  
 19. 4A TRIAC  
 20. 4A TRIAC  
 21. 4A TRIAC  
 22. 4A TRIAC  
 23. 4A TRIAC  
 24. 4A TRIAC  
 25. 4A TRIAC  
 26. 4A TRIAC  
 27. 4A TRIAC  
 28. 4A TRIAC  
 29. 4A TRIAC  
 30. 4A TRIAC  
 31. 4A TRIAC  
 32. 4A TRIAC  
 33. 4A TRIAC  
 34. 4A TRIAC  
 35. 4A TRIAC  
 36. 4A TRIAC  
 37. 4A TRIAC  
 38. 4A TRIAC  
 39. 4A TRIAC  
 40. 4A TRIAC  
 41. 4A TRIAC  
 42. 4A TRIAC  
 43. 4A TRIAC  
 44. 4A TRIAC  
 45. 4A TRIAC  
 46. 4A TRIAC  
 47. 4A TRIAC  
 48. 4A TRIAC  
 49. 4A TRIAC  
 50. 4A TRIAC  
 51. 4A TRIAC  
 52. 4A TRIAC  
 53. 4A TRIAC  
 54. 4A TRIAC  
 55. 4A TRIAC  
 56. 4A TRIAC  
 57. 4A TRIAC  
 58. 4A TRIAC  
 59. 4A TRIAC  
 60. 4A TRIAC  
 61. 4A TRIAC  
 62. 4A TRIAC  
 63. 4A TRIAC  
 64. 4A TRIAC  
 65. 4A TRIAC  
 66. 4A TRIAC  
 67. 4A TRIAC  
 68. 4A TRIAC  
 69. 4A TRIAC  
 70. 4A TRIAC  
 71. 4A TRIAC  
 72. 4A TRIAC  
 73. 4A TRIAC  
 74. 4A TRIAC  
 75. 4A TRIAC  
 76. 4A TRIAC  
 77. 4A TRIAC  
 78. 4A TRIAC  
 79. 4A TRIAC  
 80. 4A TRIAC  
 81. 4A TRIAC  
 82. 4A TRIAC  
 83. 4A TRIAC  
 84. 4A TRIAC  
 85. 4A TRIAC  
 86. 4A TRIAC  
 87. 4A TRIAC  
 88. 4A TRIAC  
 89. 4A TRIAC  
 90. 4A TRIAC  
 91. 4A TRIAC  
 92. 4A TRIAC  
 93. 4A TRIAC  
 94. 4A TRIAC  
 95. 4A TRIAC  
 96. 4A TRIAC  
 97. 4A TRIAC  
 98. 4A TRIAC  
 99. 4A TRIAC  
 100. 4A TRIAC



MAIN FEATURES

1	4	A
$V_{RM} / V_{TM}$	800	V
$I_{GT} / I_{GT1}$	35/35/35	A

ABSOLUTE MAXIMUM RATINGS

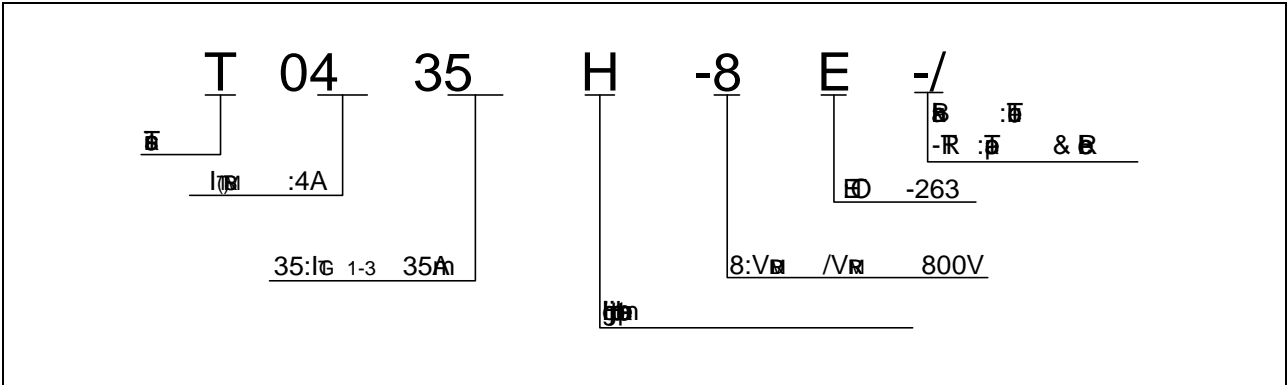
Parameter	Symbol	Value	Unit
Storage Temperature	$T_S$	-40-150	
Junction Temperature	$T_j$	-40-150	
Reverse Voltage (j=25 °C)	$V_{RM}$	800	V
Forward Voltage (j=25 °C)	$V_{FM}$	800	V
Non-repetitive Peak Current (c 137 °C)	$I_{RM}$	4	A
Repetitive Peak Current (p=20µs, j=25 °C)	$I_{RM}$	40	A
Repetitive Peak Current (p=16.6µs, j=25 °C)		44	
Repetitive Peak Current Squared (p=10µs, j=25 °C)	$I^2t$	8	A <sup>2</sup> s
Surge Current (I <sub>G</sub> =2×I <sub>GT</sub> , f=100Hz, j=150 °C)	$I_{SM}$	80	A s
Peak Current (p=20µs, T j=150 °C)	$I_{SM}$	4	A
Peak Power (j=150 °C)	$P_{SM}$	1	W
Average Power	$P_{AV}$	10	W

$I_G$ ( $T_j=25$ ; $I_G$ - $I_G$ 8)	$V_p$	4	$\mu$
--	-------	---	-------

ELECTRICAL CHARACTERISTICS ( $T_j=25$   $\mu$ )

Symbol	Test Condition	Quadrant	Value	Unit	
$I_G$	$V_D=12V$ $R_L=33$	- -	$\mu$ .	35	$\mu$
$V_G$		- -	$\mu$ .	1	V
$V_G$	$V_D=V_G$ $T_j=150$ $R_L=3.3K$	- -	$\mu$ .	0.2	V
$I_L$	$I_G=1.2I_G$	-	$\mu$ .	40	$\mu$
				50	
$I_H$	$I_T=100\mu$		$\mu$ .	30	$\mu$

ORDERING INFORMATION



MARKING

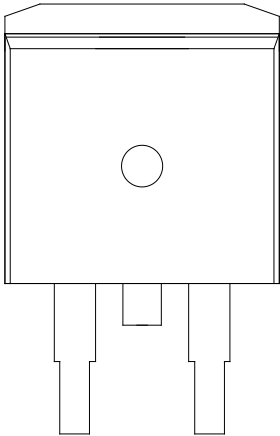


FIG.1 ~~测试~~  
a ~~tb~~

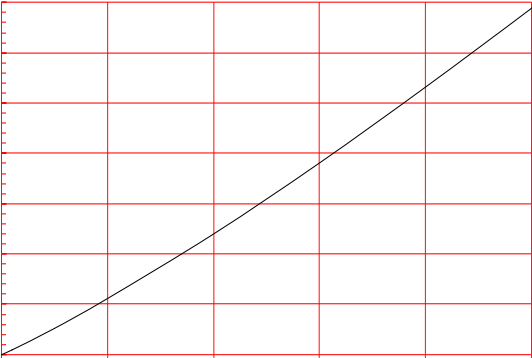
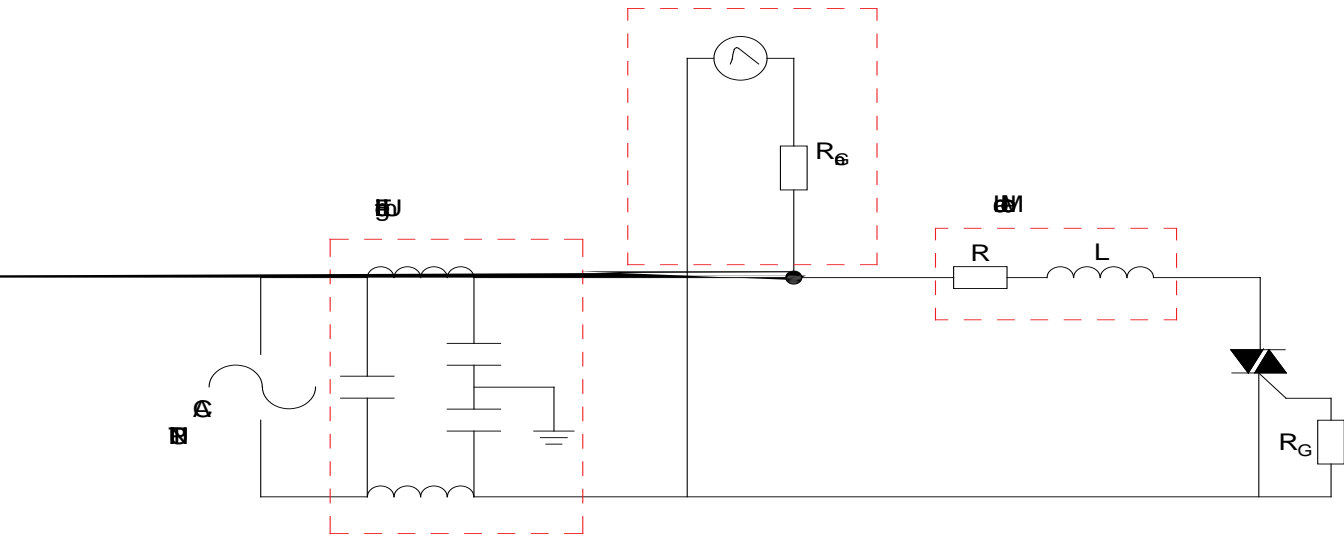


FIG.2: ~~测试~~ -~~tb~~  
fn

T0435H0435H0 435H

435H35Hieie



**T0435H-8E**



DELIVERY MODE

