

- , (- , (0 , & 5 2 (/ (& 7 5 2 1 , & 6 & 2 / 7

- 6 7) & : \$ 7 5 , \$ &

5HY \$

-67) & :

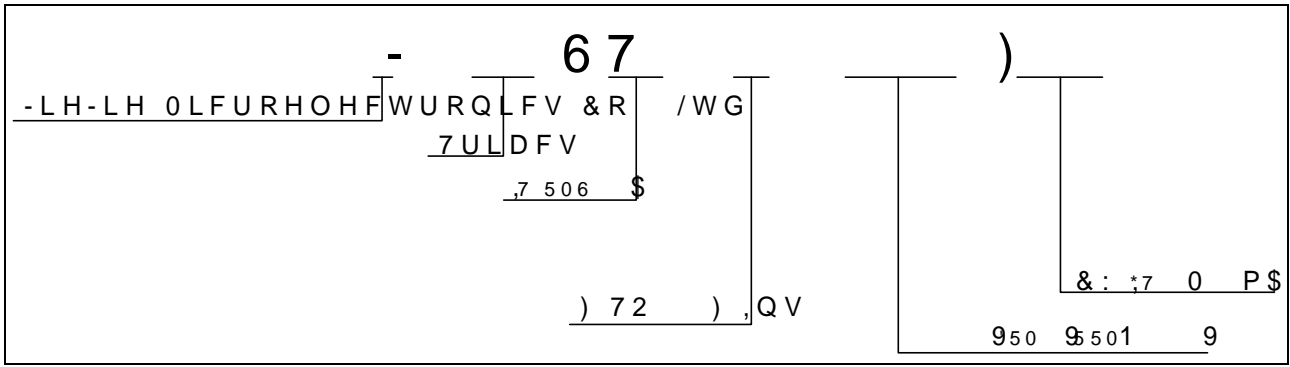
-LH-LH 0LFURHOHFWURQL

\$YHUDJH JDWH SRZHU GLVVLSDWLRQ 7

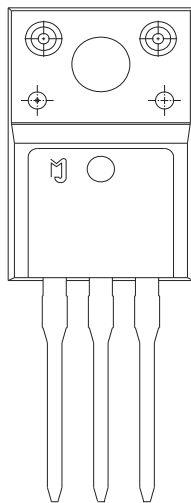
-67) &:

-LH-LH 0LFURHOHFWURQL

KZ Z/E' /E&KZD d/KE



D Z</E'

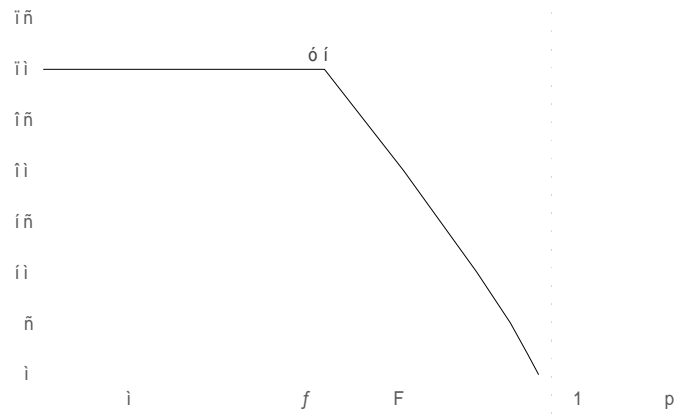
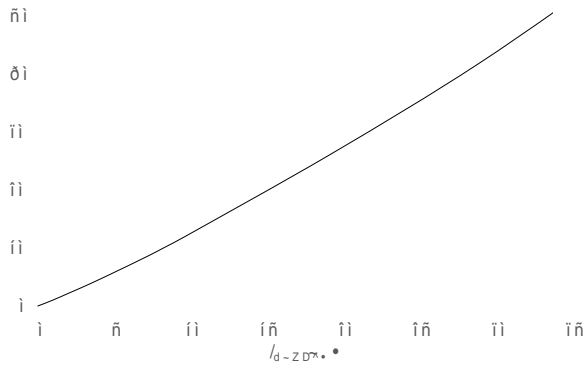


-67) &:

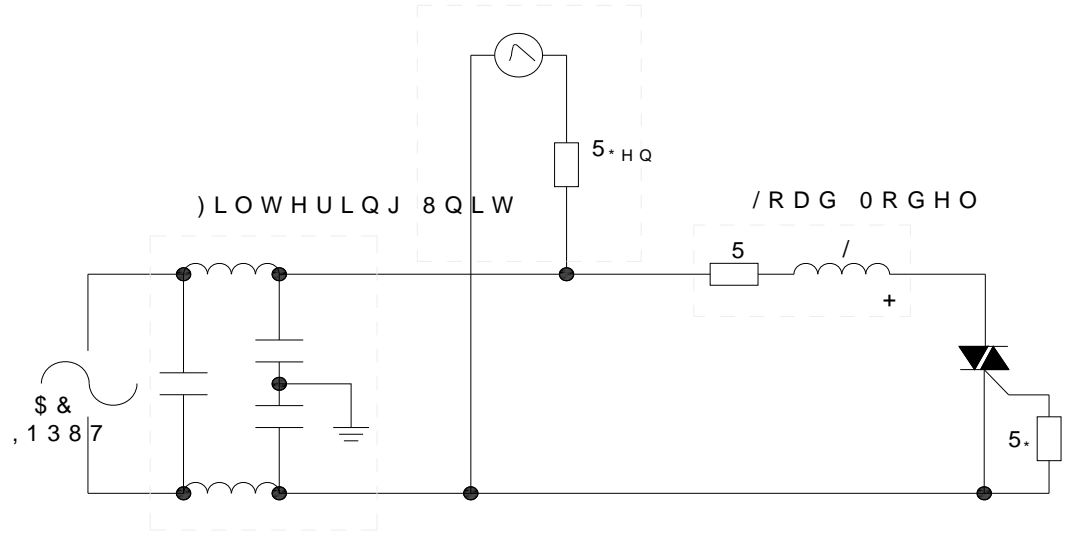
-LH-LH 0LFURHOHFWURQL

),* 0D[LPXP SRZHU GLVVLSDWLRQ Y)H*UV5065RQ VWDWH FXUUHQW YH
RQ VWDWH FXUUHQW WHPSHUDWXUH

òì W~t•



), * Ö7HVW FLUFXLW IRU LQGXFWLYH DQG VMDQGDUGV OF
 , (& 6WDQGDUGV
 6XUJH *HQHUDWRU
 6YROWDJH VXUJH
 6FXUUHQW VXUJH



> &KZD/E' E ^K> Z/E'

5HIHU WR WKH DSSOLFDFWLRQ QRWH 3\$RUMPLED \7 KQVRWJJK FVRORHQ 3 DIRND JH
 -LH-DH} œ} o šœ}v] •X

- 67) & :

-67) &:

-LH-LH 0LFURHOHFWURQL

W < ' D , E/ > d

0000
0000
0000

,

,QIRUPDWLRQ IXUQXPHQW ILQ VIKOLHGYMFB DORGEWHHDFLFXEUDH +
 -LDQJVVX -LH-LH 0L&RRHOWHGFWDVROXLFHV OLRV UHRUS RQKHL ERQVH
 RI XVH ZLWKRXW FRQVLGHUDWLRQ IRG LW FKHQURPUDVLRQR
 LQ WKLW GRFXPHQW LV VXEMHFW WR FKKDQJZKHLW KRXDJQR
 VLJQHG -LDQJVSOLHVLZILWRKPWKH DJUHHPHQW
 3URGXFWV DQG LQIRUPDWLRQ SURYLGHLGJHQHWLVRIGSDXPH
 -LDQJVVX -LH-LH DVVXPEVQQW\UIRVS DQVI LQWUKHQJHULHQWVRR
 SDUWLHV ZKLFK PD\ UHVXOW IURP WKHPDWLFRQVXKIKVSGRFG
 VXSHUVHGHV DQG UHSODFHV DOO LQIRUPDWLRQ SUHYLRXV
 LV D UHJLVWHUHGDQJDXGLFDUNRUF-ULRHOWHGFWURQLFV &
 &RS\ULJKW -LDQJVVX -LH-LH 0LFURHOHFWURQLGJJKWV UHVI