

JST30A-600CW 30A TRIAC

Rev.A.1.1

FUNCTION:

JST30A-600CW triac is suitable for general purpose AC
It can be used as an ON/OFF function in
circuits such as heating regulation, induction motor
circuits, for phase control operation in light dimmers,
speed controllers. JST30A-600CW snubberless triac is
recommended for use on inductive loads. By using
ceramic pad, JST30A-600CW provides a rated
voltage of 2500 VRMS, complying with UL standards
(UL 252906). Package TO-220A is RoHS compliant.

FEATURES

MAXIMUM RATINGS

Parameter -5(i)6(3)-1 (0)]TJ 0 Tc 1 Tw 4.89 0 Td ()Tj EMC /P <8/MCID 14 >>

Peak gate power	P_{GM}	10	W
Peak pulse voltage ($T_j=25$; non-repetitive,off-state;FIG.7)	V_{pp}	2.5	kV

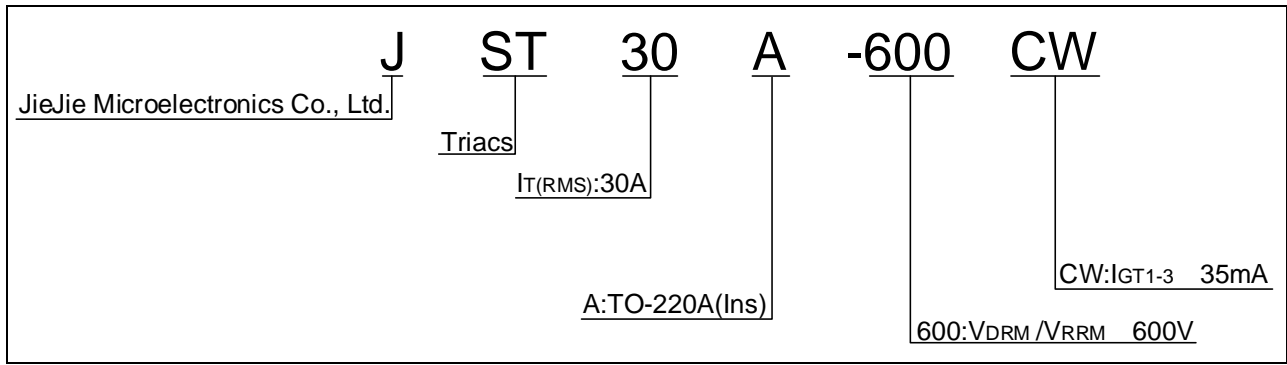
ELECTRICAL CHARACTERISTICS ($T_j=25$ unless otherwise specified)

Symbol	Test Condition	Quadrant	Value		Unit
I_{GT}	$V_D=12V R_L=33$	- -	MAX.	35	mA
V_{GT}		- -	MAX.	1.3	V
V_{GD}	$V_D=V_{DRM} T_j=125$ $R_L=3.3k$	- -	MIN.	0.15	V
I_L	$I_G=1.2I_{GT}$	-	MAX.	70	mA
				80	
I_H	$I_T=500mA$		MAX.	50	mA
dV/dt	$V_D=400V$ Gate Open $T_j=125$		MIN.	1500	V/ μs
(dI/dt) _c	(dV/dt) _c =20V/ μs $T_j=125$		MIN.	15	A/ms
t_{on}	$I_G=40mA I_A=200mA I_R=20mA$ $T_j=25$		TYP.	7	μs
t_{off}				50	

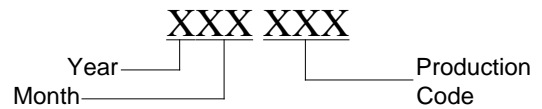
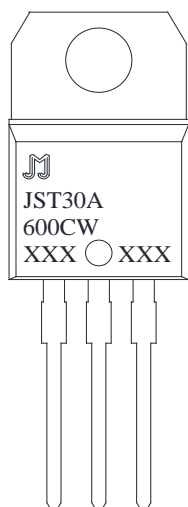
STATIC CHARACTERISTICS

Symbol	Parameter	Value(MAX.)	Unit
--------	-----------	-------------	------

ORDERING INFORMATION



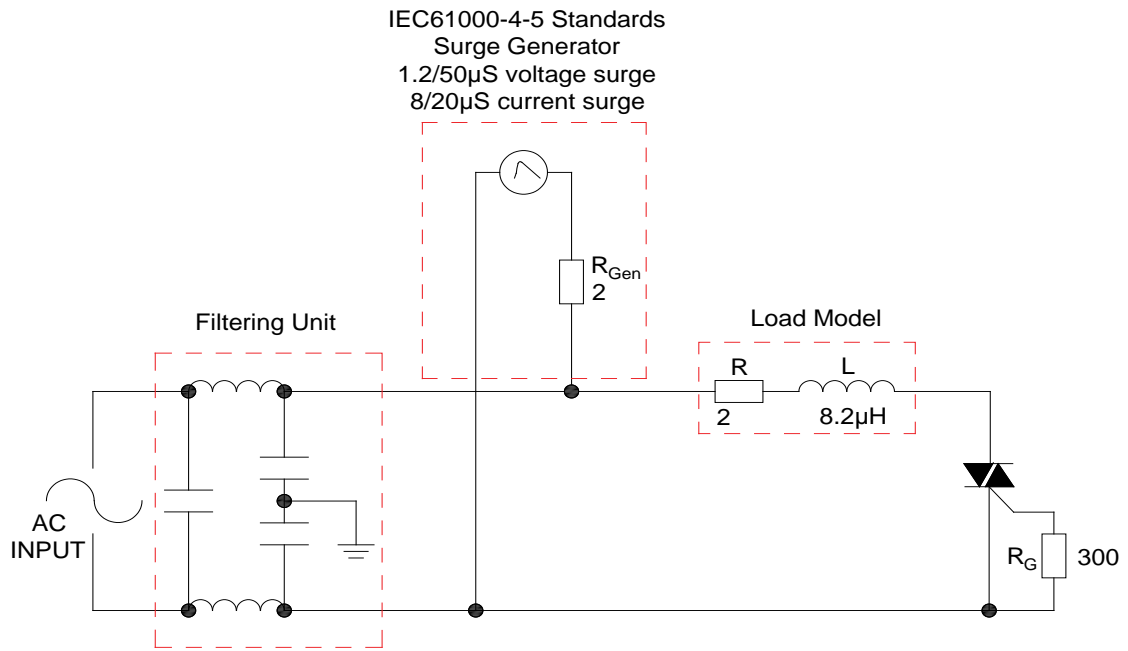
MARKING



JST30A-600CW

JieJie Microelectronics Co., Ltd.

FIG.7 Test circuit for inductive and resistive loads to IEC-61000-4-5 standards



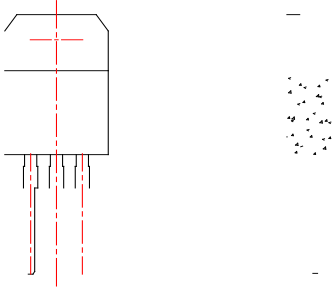
LEAD FORMING AND SOLDERING

Refer to the application note “Assembly Instructions for Thyristors in Through-hole Package” released by JieJie

ORDERING INFORMATION



PACKAGE MECHANICAL DATA



Information furnished in this document is believed to be accurate and reliable. However, Jiangsu JieJie Microelectronics Co., Ltd. assumes no responsibility for the consequences of use without consideration for such information nor use beyond it. Information mentioned in this document is subject to change without notice, apart from that when an agreement is signed, Jiangsu JieJie complies with the agreement.

Products and information provided in this document have no infringement of patents. Jiangsu JieJie assumes no responsibility for any infringement of other rights of third parties which may result from the use of such products and information. This document supersedes and replaces all information previously supplied.