



JST26Z-1200BW 25A TRIAC

Rev.A.1.1

DESCRIPTION:

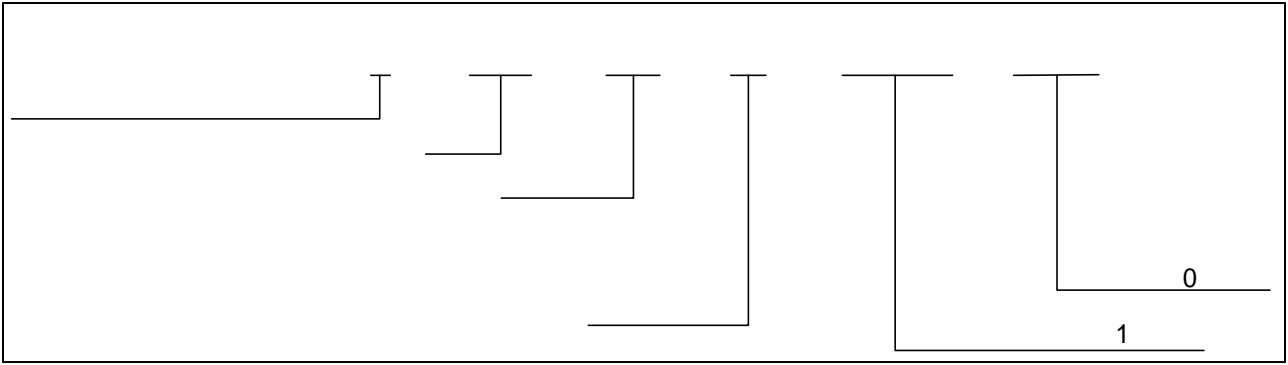
ELECTRICAL CHARACTERISTICS

Symbol	Test Condition	Quadrant	Value	Unit

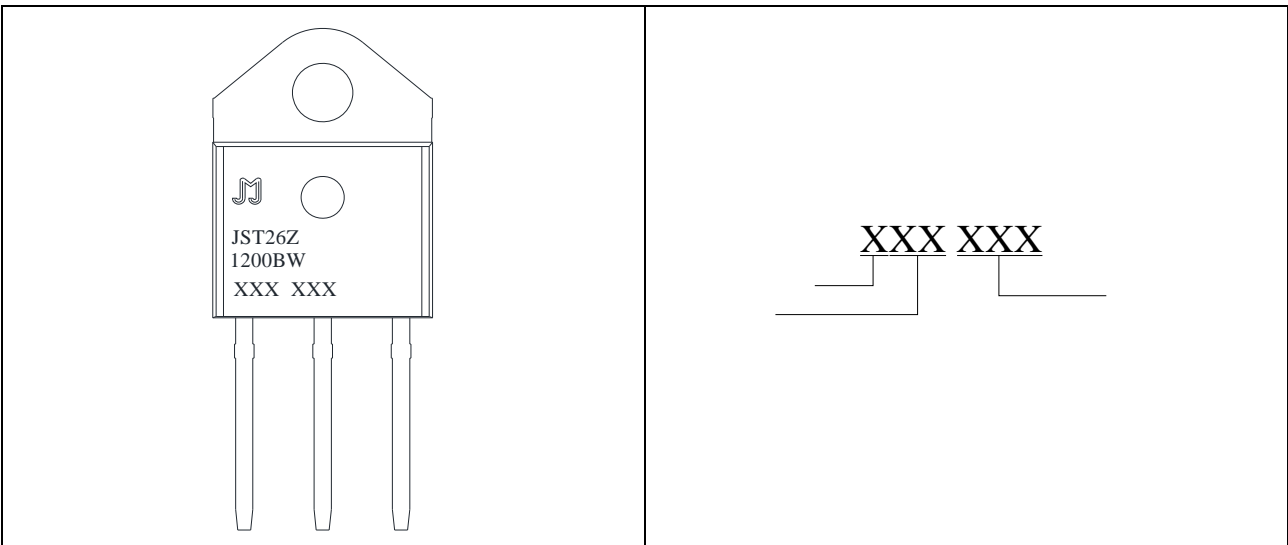
STATIC CHARACTERISTICS

Symbol	Parameter	Value(MAX.)	Unit

ORDERING INFORMATION



MARKING



ORDERING INFORMATION

Order code	Voltage V _{DRM} /V _{R_{RRM}} (V)	IGT(mA)	Package	Base qty. (pcs)	Delivery mode
		- -			
JST26Z-1200BW	1200	50	TO-3P(Ins)	30	Tube

Document Revision History

JST26Z-1200BW

