



JST24C-800C 25A TRIAC

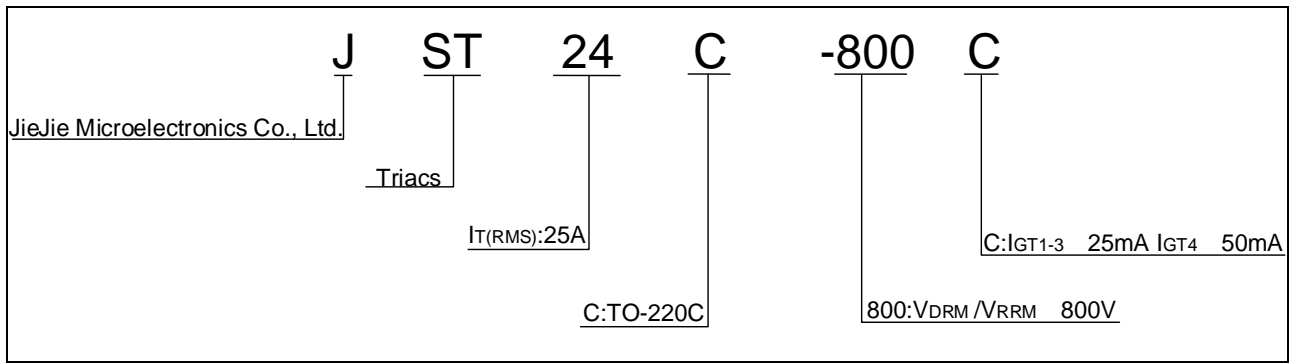
Rev.A.1.1

DESCRIPTION:

ELECTRICAL CHARACTERISTICS ($T_j=25$ unless otherwise specified)

Symbol	Test Condition	Quadrant	Value		Unit
I_{GT}	$V_D=12V$ $R_L=33$	- -	MAX.	25	mA
				50	
V_{GT}	$V_D=V_{DRM}$ $T_j=125$ $R_L=3.3$	ALL	MAX.	1	V
V_{GD}					

ORDERING INFORMATION



MARKING

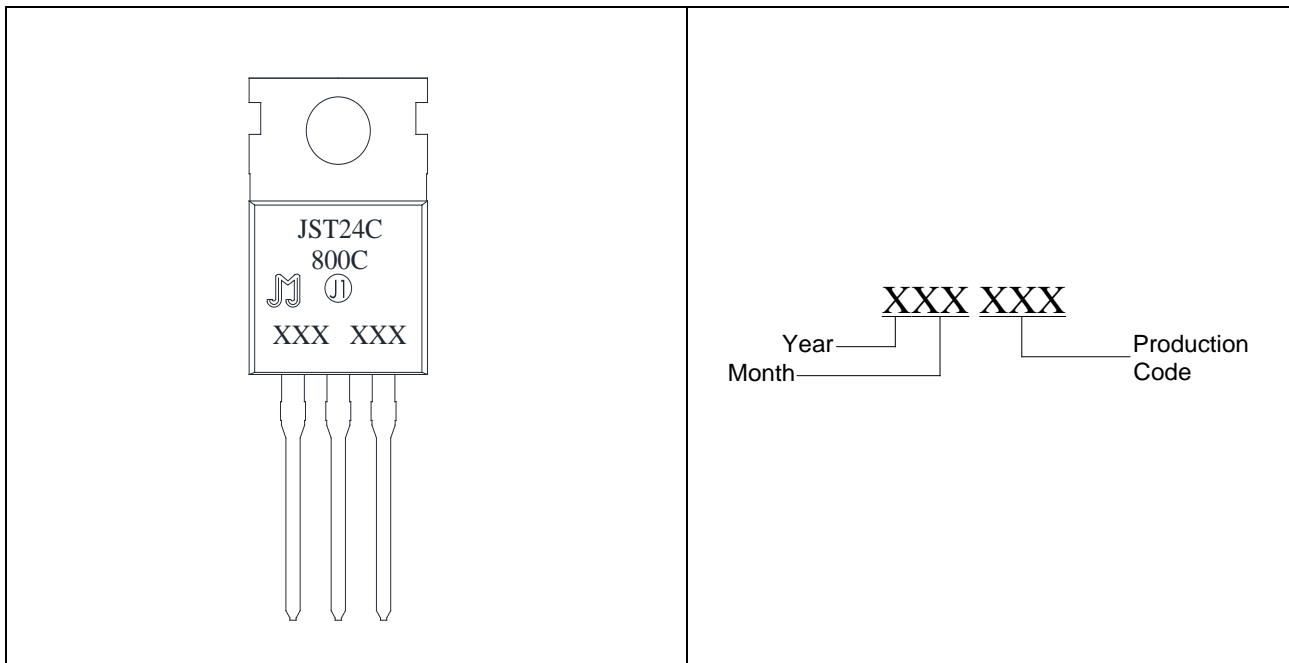
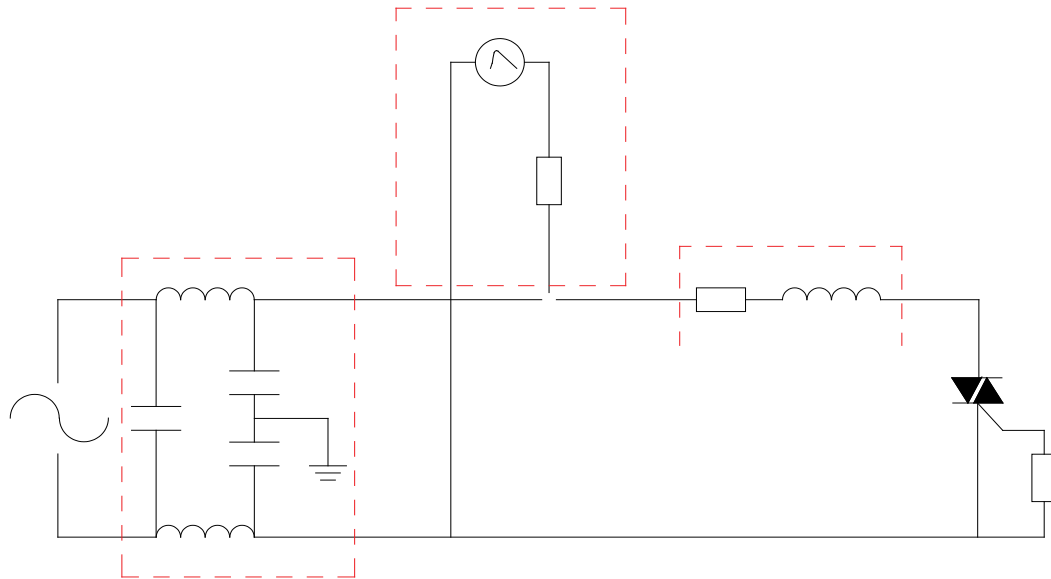


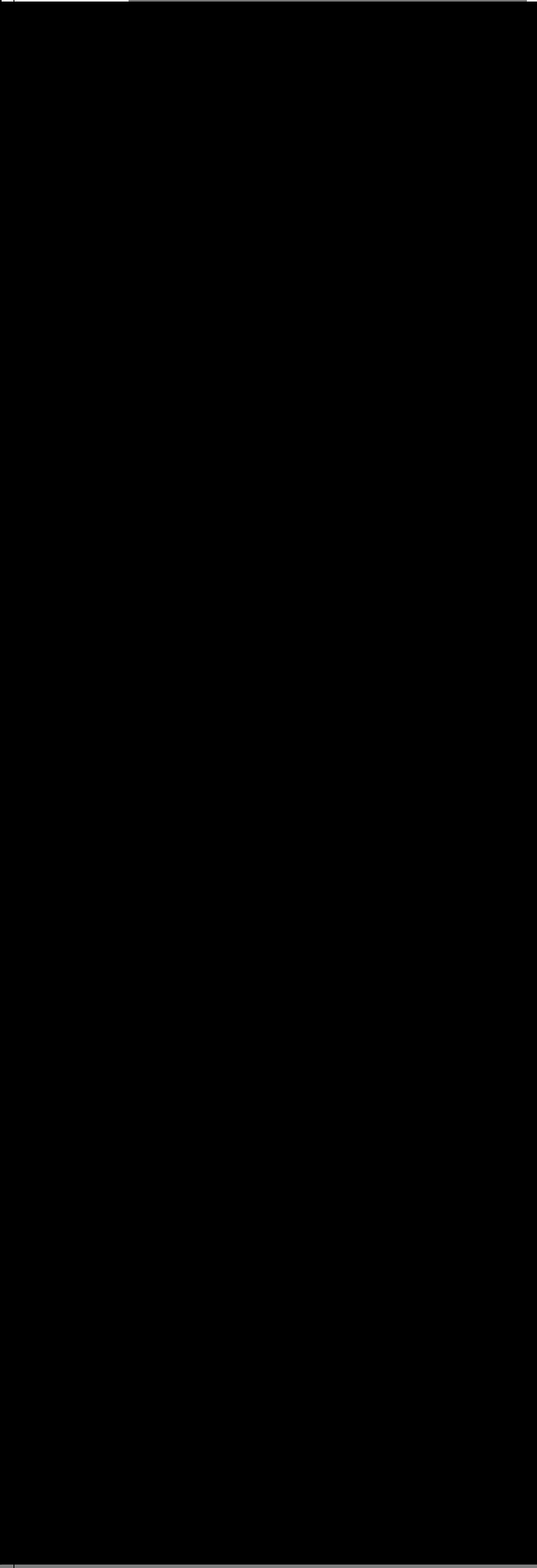
FIG.7 Test circuit for inductive and resistive loads to IEC-61000-4-5 standards AC



INPUTFiltering U

ORDERING INFORMATION

Order code	Voltage V_{DRM}/V_{RRM} (V)	IGT(mA)	Package	Base qty. (pcs)	Deliver.394 0 -5716.9 mR ce
------------	----------------------------------	---------	---------	--------------------	-----------------------------



Information furnished in this document is believed to be accurate and reliable. However, Jiangsu JieJie Microelectronics Co., Ltd assumes no responsibility for the consequences of use without consideration for such information nor use beyond it. Information mentioned in this document is subject to change without notice, apart from that when an agreement is signed, Jiangsu JieJie complies with the agreement.

Products and information provided in this document are for reference only. For more information, please contact us.