

JIEJIE MICROELECTRONICS CO., LTD.

Peak pulse voltage ($T_j=25$; non-repetitive, off-state; FIG.7)	V_{pp}	4	kV
--	----------	---	----

ELECTRICAL CHARACTERISTICS ($T_j=25$ unless otherwise specified)

Symbol	Test Condition	Quadrant	Value	Unit
I_{GT}	$V_D=12V$ $R_L=33$	- -	MAX. 50	Va

ORDERING INFORMATION

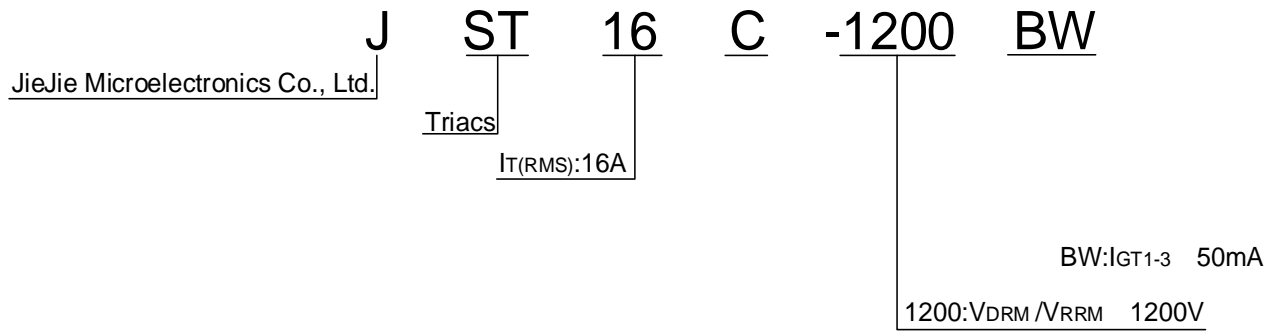


FIG.1: Maximum power dissipation versus RMS on-state current

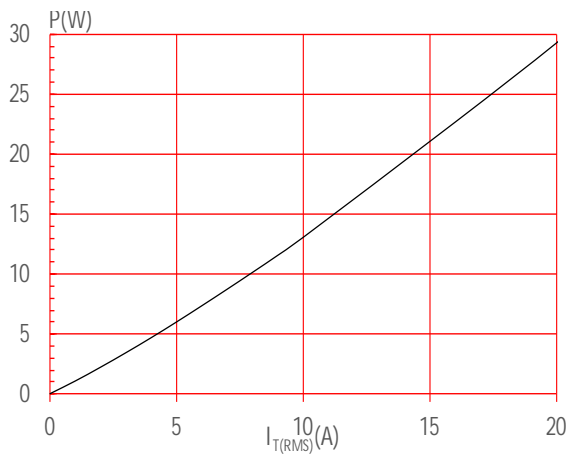


FIG.3: Surge peak on-state current versus number of cycles

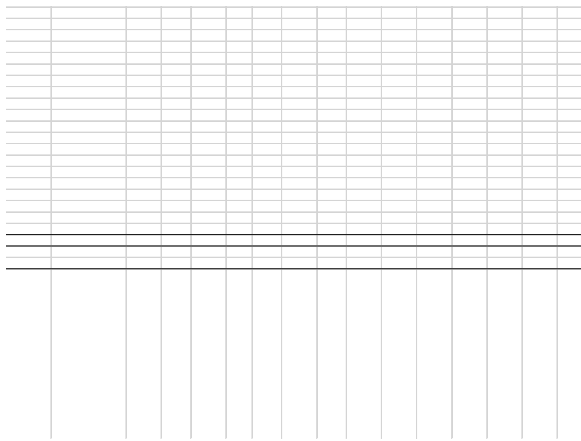


FIG.2: RMS on-state current versus case temperature

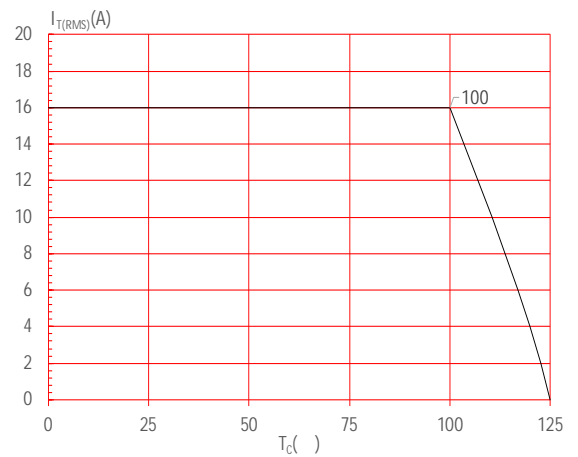


FIG.4: On-state characteristics

FIG.7 Test circuit for inductive and resistive loads to IEC-61000-4-5 standards



JST16C-1200BW

ORDERING INFORMATION

Order code	Voltage V_{DRM}/V_{RRM} (V)		Package	Base qty. (pcs)	Delivery mode
JST16C-1200BW	1200	50	TO-220C	50	Tube ---

PACKAGE MECHANICAL DATA



