



JST137F-800G 8A TRIAC

Rev.A.1.1

^ Z/Wd/KEW

7KH -67) * WULDF LV VXLWDEOH IRU JHQHUDO SXUSRVH
\$& VZLWFKLQJ ,W FDQ EH XVHG DV DQ 21 2)) IXQFWLRQ
LQ DSSOLFDWLRQ QJVVXFKXDDWHDW LQGXFWRQ
PRWRU VWDUWU QSKDWHF R WDWRRQ LQ
OLJKW GLPPHUV FRQWURSRVSHHG %\ XVLQJ DQ
H[WHUQDO SODVLF) SDFNSURHYL-GHV D UDWHG
LQVXODWLRQ YROWD FRRSO\LQ95ZLWK 8/
VWDQGDUGV)LOH UHI (3DFNDJH 72) LV
5R+6 FRPSOLDQW

D /E & dhZ ^

^K>hd D y/DhD Z d/E'^

Table with 4 columns: Parameter, Symbol, Value, Unit. It lists various electrical parameters for the JST137F-800G 8A TRIAC, such as forward current, reverse current, and power dissipation.

&ULWLFDO BDWG RWDWHHFXUUHQW
; h,*7 Ru!%8 = ,

3H DN SXOVH YROWDJH 7M QRQ UHSHWLWLYH RII VWDWH) , *	9SS		
----------------------------------------------------------	-----	--	--

> dZ/ > , Z d Z M d / XQOHVV RWKHUZLVH VSHFLILHG

Symbol	Test Condition	Quadrant	Value	Unit
,*7	9' 9 5		0\$;	P\$
9*7		\$//	0\$;	9
9*	9' 9'50 7M 5/ N	\$//	0,1	9
/	*, *7		0\$;	P\$

R €x0 • \$DP `S

FIG.1: 0D[LPXP SRZHU GLVVLSDWLRQ YFIG.2: V5X06 5RQ VWDWH FXUUHQW YH
RQ VWDWH FXUUHQW WHP SHUDWXUH

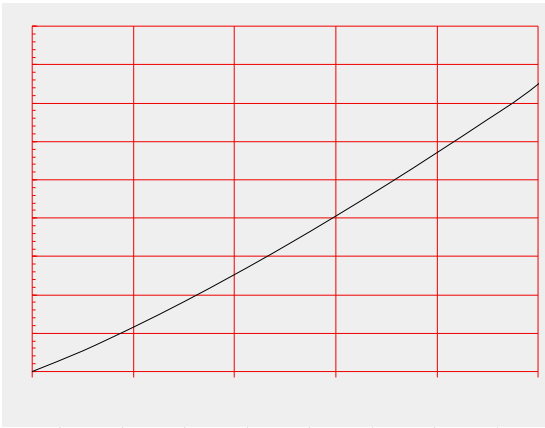
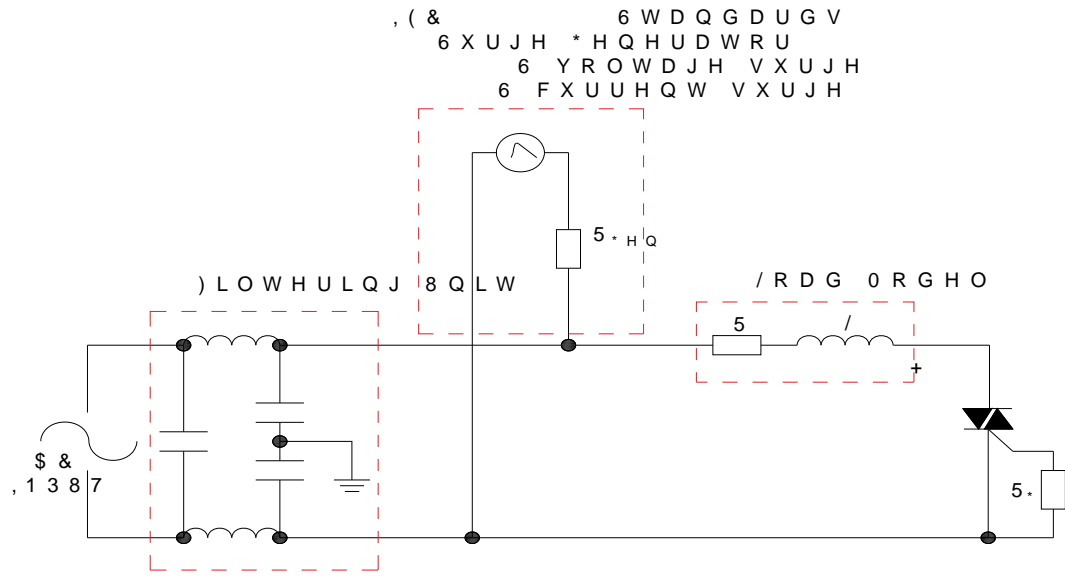


FIG.3: 6XUJH SHDN RQ VWDWH FXUUHQW YHUVXV
QXPEHU RI F\FOHV



, * Ö7HVW FLUFXLW IRU LQGXFWLYH DQG VMDQGDUGV O



> &KZD/E' E ^K> Z/E'

5HIHU WR WKH DSSOLFDWLRQ QRWH 3\$RUMPLED\7KQVRWUJKFKRORHQ3DIRNJDJH
-LH-LH

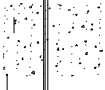
KZ Z/E' /E & KZD d/KE


Order code	Voltage V _{DRM} /V _{RRM} (V)	IGT(mA)		Package	Base qty. (pcs)	Delivery mode
		-	-			
JST137F-800G	800	50	100	TO-220F(Ins)	50	Tube

Document Revision History

'DWH	5HYLVLRQ	&KDQJHV
\$SU	\$	/DVW XSGDWHG
2FW	\$	5HYLVLRQ.\$*(0(&+\$1,&\$/'\$7\$

W < ' D , E / > d



,QIRUPDWLRQ IXUQXFKHQ ILQ WKOLHGRHG WR EH DFFXUDWH D
 -LDQJVVX -LH-LH 0LFURHOHFWURQLFV &R\ I/RUGWDKHV XRIQW HQTRX
 XVH ZLWKRXW FRQVKGHQBWRBQURQ QRU XVH EHIRQG LW ,
 WKLV GRFXPHQWKLDQVXENZLMFVR XWR FRMLWHZKDSDDQ DU BPHPH
 VLJQH G -LDQJV&OILHVLZILWRKPWKH DJUHHPHQW
 3URGXFWV DQG LQIRURDWWKLRQ GRURXFLGHG KDYH QR LQIULQJ
 -LDQJVVX -LH-LH DVVXIPHLOQR\ UIRVSRQWIRQKHQJHHPJKWW RI W
 SDUWLHV ZKLFK PDK XNWXDIW XURPSWB B XWRQD QK ILQGRFXPH
 VXSHUVHGHV DQG UHSODFHV DOO LQIRUPDWLRQ SUHYLRXV
 LV D UHJLVWHUHGDQJDXGLHDUN RUF-URHOWHFWURQLFV &
 &RS\ULJKW < -LDQLFVRHLOHEMURQUEYK&RV U/HMGHUSYHOG