



**JST12C-800B 12A TRIAC**

- - - ( )Tj 0 Tw 5.504 0 Td ( )Tj 0.222 Tw 0.96 0 0 0.9643 0.46 764.52 Tm [ ( )-125 (

ELECTRICAL CHARACTERISTICS ( $T_j=25$  unless otherwise specified)

Symbol	Test Condition	Quadrant	Value		Unit
$I_{GT}$	$V_D=12V R_L=33$	- -	MAX.	50	mA
				70	
$V_{GT}$		ALL	MAX.	1	V
$V_{GD}$	$V_D=V_{DRM} T_j=125$ $R_L=3.3k$	ALL	MIN.	0.2	V
$I_L$	$I_G=1.2I_{GT}$	- -	MAX.	50	mA
				100	
$I_H$	$I_T=500mA$		MAX.	60	mA
dV/dt	$V_D=540V$ Gate Open $T_j=125$		MIN.	1000	V/ $\mu s$
(dV/dt) <sub>c</sub>	(dI/dt) <sub>c</sub> =5.3A/ms, $T_j=125$		MIN.	12	V/ $\mu s$
$t_{on}$	$I_G=80mA I_A=400mA I_R=40mA$ $T_j=25$		TYP.	5	$\mu s$
$t_{off}$				30	

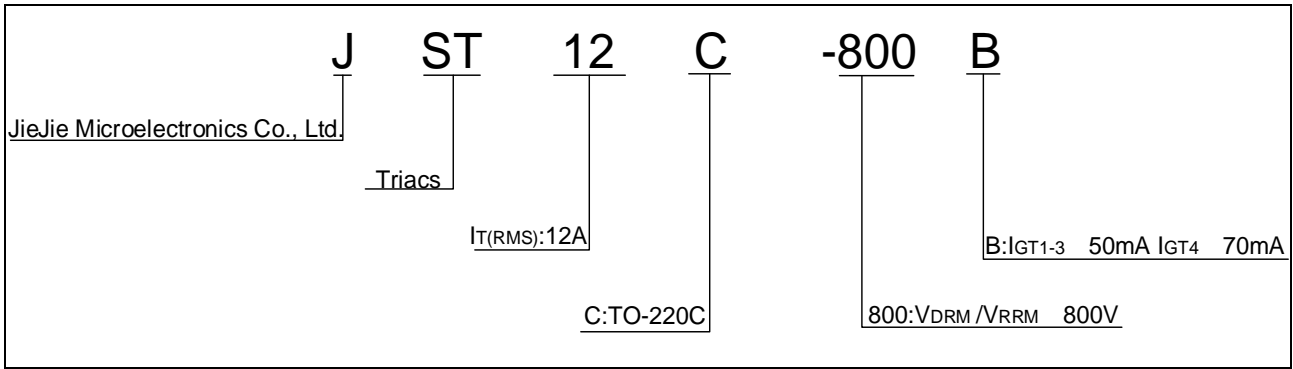
## STATIC CHARACTERISTICS

Symbol	Parameter		Value(MAX.)	Unit
$V_{TM}$	$I_{TM}=17A t_p=380\mu s$	$T_j=25$	1.5	V
$V_{TO}$	Threshold voltage	$T_j=125$	0.77	V
$R_D$	Dynamic resistance	$T_j=125$	35	m
$I_{DRM}$	$V_D=V_{DRM} V_R=V_{RRM}$	$T_j=25$	$\mu A$	
$I_{RRM}$		$T_j=125$	0.5	mA

## THERMAL RESISTANCES

Symbol	Parameter	Value
--------	-----------	-------

ORDERING INFORMATION



MARKING

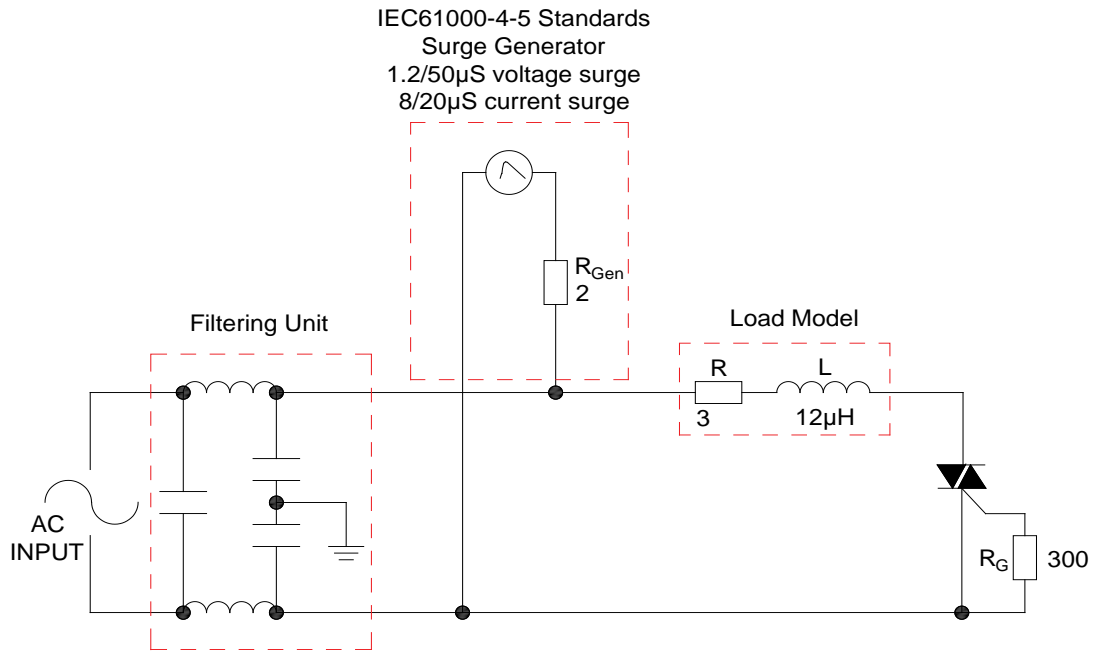


**FIG.1:** Maximum power dissipation versus RMS on-state current

---

**FIG.2:** RMS on-state current versus case temperature

FIG.7 Test circuit for inductive and resistive loads to IEC-61000-4-5 standards



**ORDERING INFORMATION**

Order code	Voltage $V_{DRM}/V_{RRM}$ (V)	IGT(mA)		Package	Base qty. (pcs)	Delivery mode
		H- I- J	K			
<b>JST12C-800B</b>	<b>800</b>	<b>50</b>	<b>70</b>	<b>TO-220C</b>	<b>50</b>	<b>Tube</b>

**Document Revision History**

Date	Revision	Changes
Apr.14, 2023	A.1.0	Last updated
Oct.15, 2025	A.1.1	Revise PACKAGE MECHANICAL DATA



Information furnished in this document is believed to be accurate and reliable. However, Jiangsu JieJie Microelectronics Co., Ltd assumes no responsibility for the consequences of use without consideration for such information nor use beyond it. Information mentioned in this document is subject to change without notice, apart from that when an agreement is signed, Jiangsu JieJie complies with the agreement.

Products and information provided in this document have no infringement of patents. Jiangsu JieJie assumes no responsibility for any infringement of other rights of third parties which may result from the use of such products and of