

-67 ) % \$ 75, \$ &

5HY \$

^ Z/Wd/KEW

7KH -67 ) % WULDF LV VXLWDEOH IRU JHQHUDO SXUSRVH  
\$& VZLWFKLQJ ,W FDQ EH XVHG DV DQ 21 2)) IXQFWLRQ  
LQ DSSOLFDWLRQ QJ V X F X D D W H B W L Q G X F W L R Q  
PRWRU VWDUWU Q S K B W H F X B W W D W R Q L Q  
OLJKW GLPPHUV FR R W R B O S H U G % \ X V L Q J D Q  
H [ W H U Q D O S O D W L F S D F S D J R Y L G H V D U D W H G  
L Q V X O D W L R Q Y R O W D F R R S O \ L Q 9 5 Z L W K 8 /  
V W D Q G D U G V ) L O H U H I ( 3 D F N D J H 7 2 ) L V  
5 R + 6 F R P S O L D Q W

D /E & dhZ ^

^K>hd D y/DhD Z d/E'^^

3DUDPHWHU	6\PERO	9DOXH	
6WRUDJH MXSDFULRQWHPDQJHVWJ		7	
2SHUDWLQJWHKCSHWLDRQXUH	UDQJH	7	
5HSHWLWLYH SHDN RMI VW DW 950YR	OWDJH	7	9
5HSHWLWLYH SHDN WHYHUVH95R	OWDJH	7	9
506 RQ VWDWH & FXUUHQW	7 ,7 506		

8QLW

\$

1RQ UHSHWLWLYH VXUJH SHDN RQ VWDWH FXUUHQW  
IXOO F) F) F) W

-67 ) %

-LH-LH 0LFURHOHFWURQL

3HDN SXOVH YROWDJH			
7M QRQ UHSHWLWLYH RII VWDWH ),*	933		

9

> dZ/ > , Z d Z d / XQOHVV RWKHUZLVH VSHFLILHG

6\PERO	7HVW &RQGLWLRQ	4XDGUDQW	9DOXH
,7		0\$;	P\$

9 9 5

--	--	--	--

7 (/Æ			
-------	--	--	--

KWWS ZZZ MMZG] FR

- 67 ) %

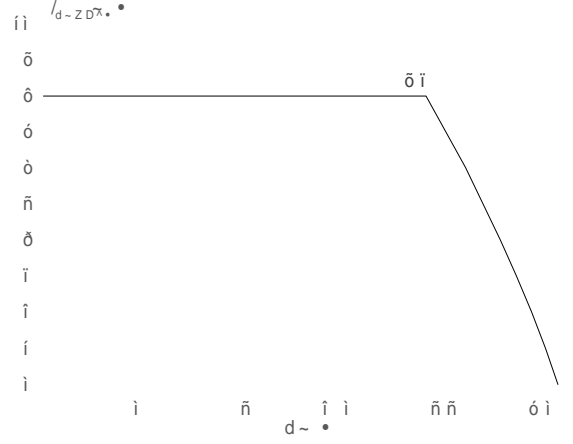
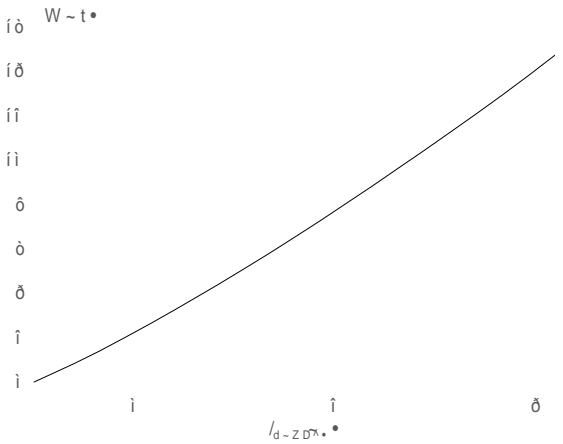
- LH-LH 0LFURHOHFWURQL

KZ Z/E' /E&KZD d/KE

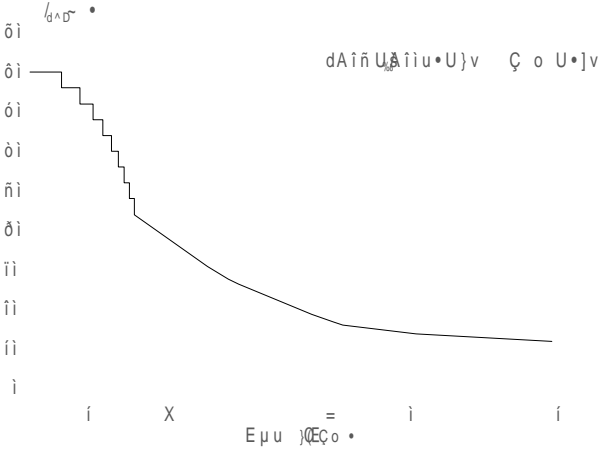
- 67 ) %

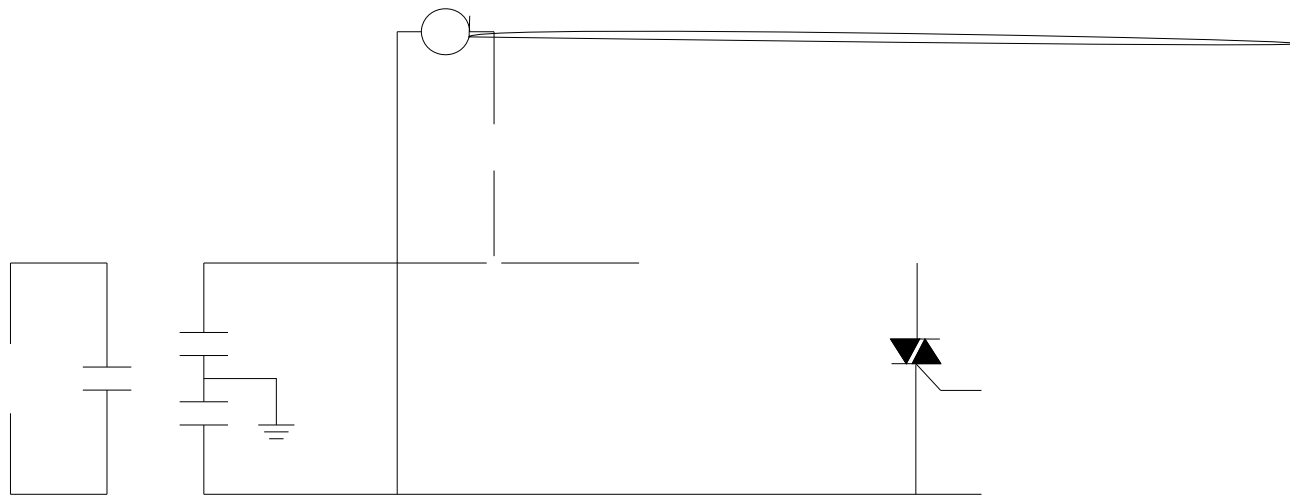
-LH-LH 0LFURHOHFWURQLFV &R /WGpÀ -BD(ì W D\$²4À\$²)CE•7'y...G,À p€•p 0 r(P<,'0 • 0

),\* 0D[LPXP SRZHU GLVVLSDWLRQ Y,HU5X6 RQ6 VWDWH FXUUHQW YHU  
RQ VWDWH FXUUHQW WHPSHUDWXUH



),\* 6XUJH SHDN RQ VWDWH FXUUHQW YHU VWDWH FKDUDFWHULVWL  
QXPEHU RI F\FOHV





-67 ) %

-LH-LH 0LFURHOHFWURQL

KZ Z/E' /E&KZD d/KE

2UGHU FR	9ROWD 9.50 9.50 9	,*7 P\$		3DFNDJ	%DVH SFV	'HOLYHU\ PRGH
-67 ) %				72 )	,QV	7XEH

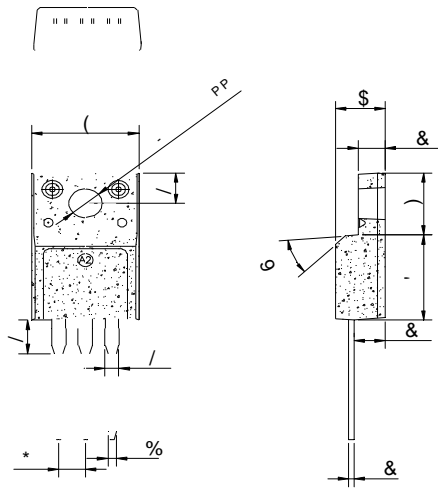
'RFXPHQW 5HYLVLRQ +LVWRU\

'DWH	5HYLVLRQ	&KDQJHV
\$SU	\$	/DVW XSGDWHG
2FW	\$	5HYLVLRQ.\$*( 0(&+\$1,&\$/ '\$7\$

-67 ) %

-LH-LH 0LFURHOHFWURQL

W < ' D , E / > d



'LPHQVLRQV  
 5 HI 0LOOLPHWHUV ,QFKHV  
 0 LQ

,QIRUPDWLRQ IXUQXPHQW ILQ WKOLHGRHG WR EH DFFXUDWH D  
 -LDQJVVX -LH-LH 0LFURHOHFWURQLFV &W\ I/RUGWDKHV XRIQW HQRX  
 XVH ZLWKRXW FRQVWGLQJ BWRBQURQ QRU XVH EHRQG LW ,  
 WKLV GRFXPHQWKDQVX ENLMPVR XWR FRMLWHZ KDSDDQ DURPHPH  
 VLJQHGH -LDQJVVX OILHVLZILWRKPWKH DJUHHPHQW  
 3URGXFWV DQG LQIRURDWWKLRQ GRURXFLGHV KDYH QR LQIULQJ  
 -LDQJVVX -LH-LH DVVXPHLOQR\ UIRVSRQWIRQV KHQJHHPHQW RI W  
 SDUWLHV ZKLFK PDK XNWXDIW XURPSWB BFWWRQ QK ILQGRFXPH  
 VXSHUVHGHV DQG UHSODFHV DOO LQIRUPDWLRQ SUHYLRXV  
 LV D UHJLVWHUHGDQJDXGLHDUN RUFURHOHFWURQLFV &  
 &RS\ULJKW < -LDQJVVX HLOHEMURQUEYK&RV U/HMGHUSYHGH