

ELECTRICAL CHARACTERISTICS (unless otherwise specified)

Symbol	Test Condition	Quadrant	Value		Unit
I_{GT}	$V_D=12V$ $R_L=33$	- -	MAX.	50	mA
				70	
V_{GT}		ALL	MAX.	1	V
V_{GD}	$V_D=V_{DRM}$ $T_j=125$ $R_L=3.3k$	ALL	MIN.	0.2	V
I_L	$I_G=1.2I_{GT}$	- -	MAX.	50	mA
				100	
I_H	$I_T=200mA$		MAX.	60	mA
dV/dt	$V_D=540V$ Gate Open $T_j=125$		MIN.	1000	V s
$(dV/dt)_c$	$(dI/dt)_c=3.5A/ms$, $T_j=125$		MIN.	12	9 V
t_{on}	$I_G=80mA$ $I_A=400mA$ $I_R=40mA$ $T_j=25$		TYP.	5	s
t_{off}				30	

STATIC CHARACTERISTICS

Symbol	Parameter		Value(MAX.)	Unit
V_{TM}	$I_{TM}=11A$ $t_p=380$ s	$T_j=25$	1.5	V
V_{TO}	Threshold voltage	$T_j=125$	0.81	V
R_D	Dynamic resistance	$T_j=125$	44	P
I_{DRM}	$V_D=V_{DRM}$ $V_R=V_{RRM}$	$T_j=25$	5	A
I_{RRM}		$T_j=125$	0.35	mA

THERMAL RESISTANCES

Symbol	Parameter	Value	Unit
$R_{th(j-c)}$	junction to case (AC)	1.6	/W
$R_{th(j-a)}$	junction to ambient (AC, in free air, S=2cm		

JST08E-800B

FIG.1: Maximum power dissipation versus RMS on-state current

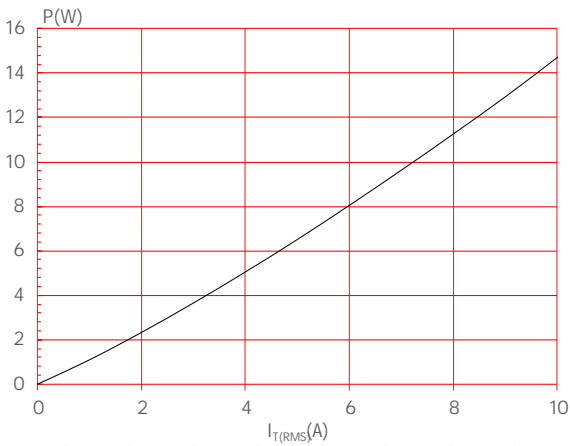


FIG.2: RMS on-state current versus case temperature

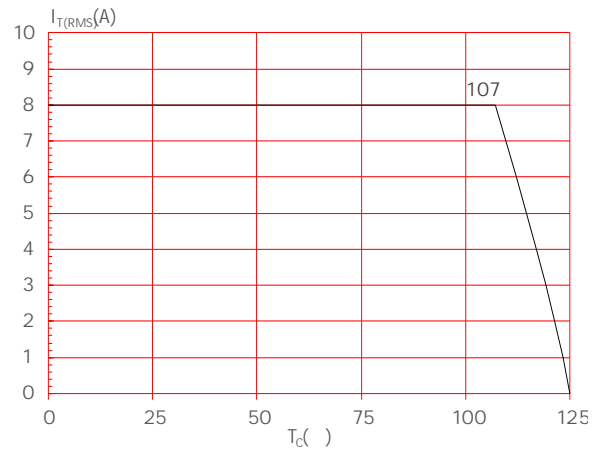


FIG.3: RMS on-state current versus ambient temperature (printed circuit board FR4,copper WKLFNQHVV P IXOO F\FOH

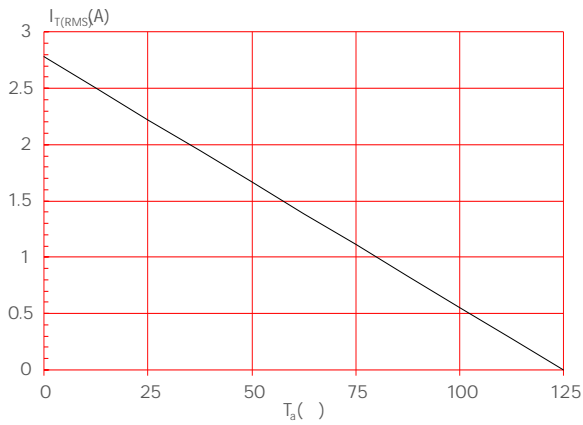


FIG.4: Surge peak on-state current versus number of cycles

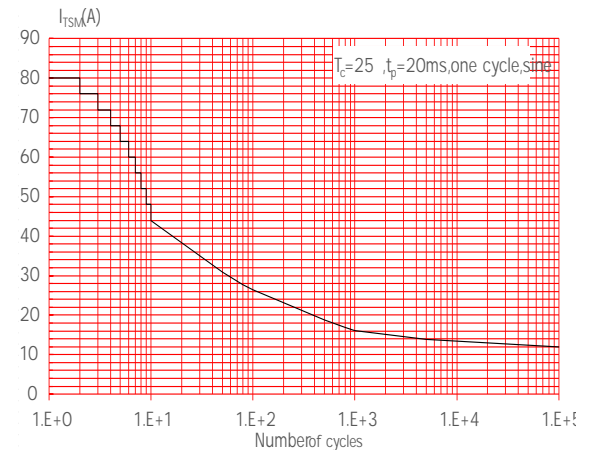


FIG.5: On-state characteristics

FIG.6: Non-repetitive surge peak on-state current for a sinusoidal pulse with width $t_p < 20ms$, and corresponding value of I^2t (-

FIG.7: Relative variations of gate trigger current, holding current and latching current versus junction temperature

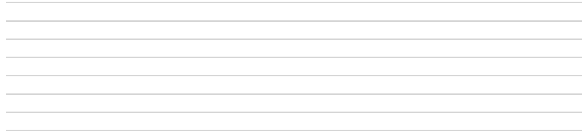
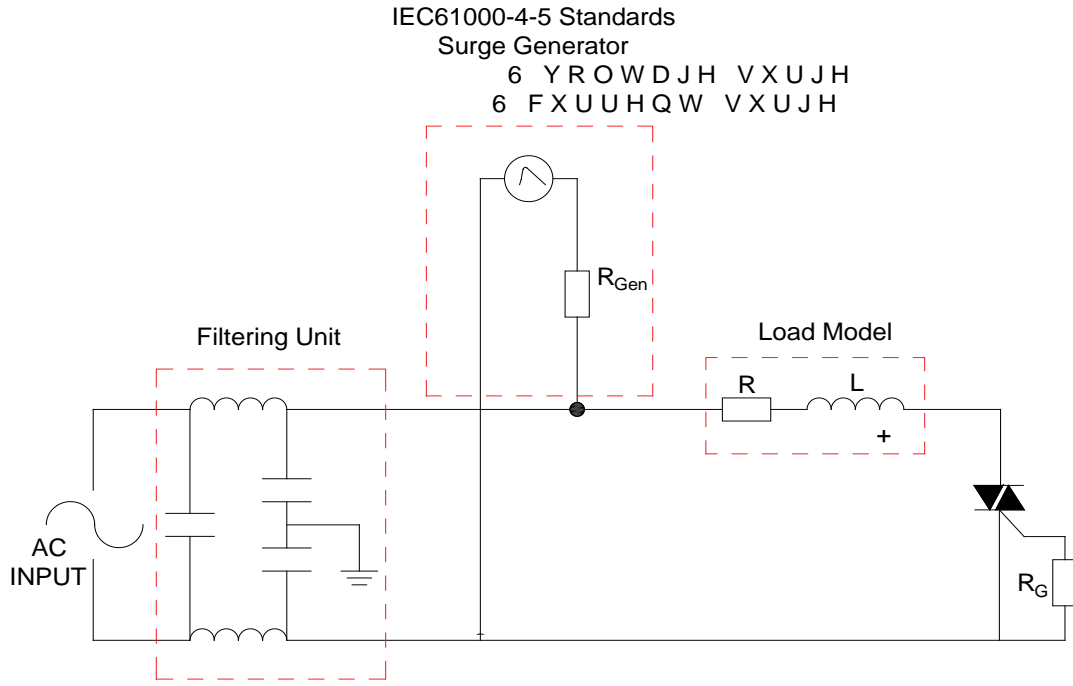


FIG.8: Test circuit for inductive and resistive loads to IEC-61000-4-5 standards



ORDERING INFORMATION

Order code	Voltage V_{DRM}/V_{RRM} (V)	IGT(mA)		Package	Base qty. (pcs)	Delivery mode
		-	-			
JST08E-800B	800	50	70	TO-263	50	Tube
JST08E-800B-TR					800	Tape & Reel

Document Revision History

Date	Revision	Changes
Apr.14, 2023	A.1.0	Last updated
Oct.20, 2025	A.1.1	Revise PACKAGE MECHANICAL DATA

JST08E-800B

DELIVERY MODE

