



IEEE-600S W8 ARC

R A.1.1

DESCRIPTION:

The IEEE-600S W8 ARC is a high speed
 by .
 ,
 ,
 ,
 ,
 .
 .

b

I_{max}	8	A
V_{max}	60	V

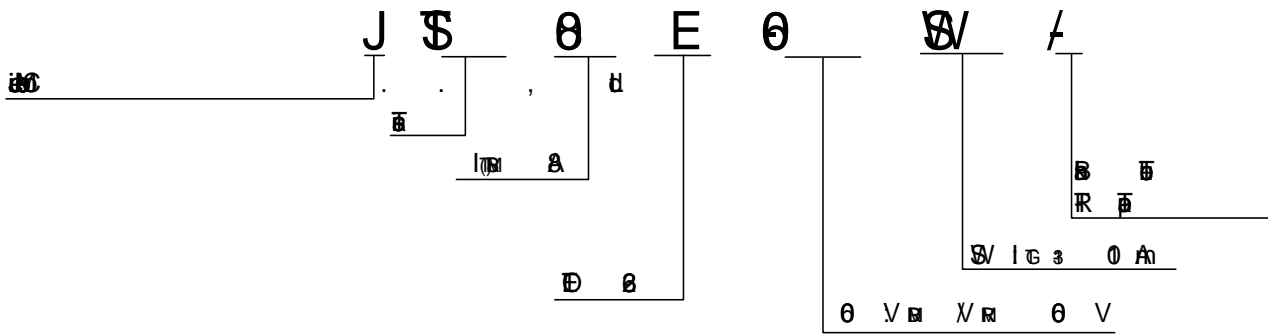
$I_{c} //$

T_{g}	-0.0	
T_{j}	-0.2	
V_{max}	60	V

I_{max}	8	A
-----------	---	---

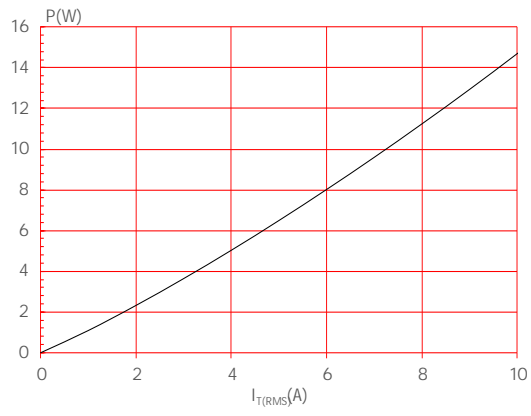
$(I_{c2} \times I_{c1})$	0	A/ μ s
t_{on}	4	A
P_{avg}	0.5	W
P_{max}	0	W

ORDERING INFORMATION



FG .1: ~~...~~

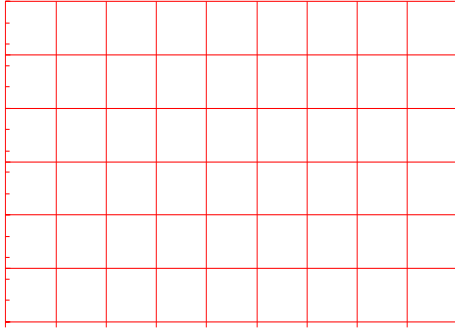
o ~~...~~



FG .2: ~~...~~

en

FG.7: ~~Figure~~,
~~Figure~~
Figure



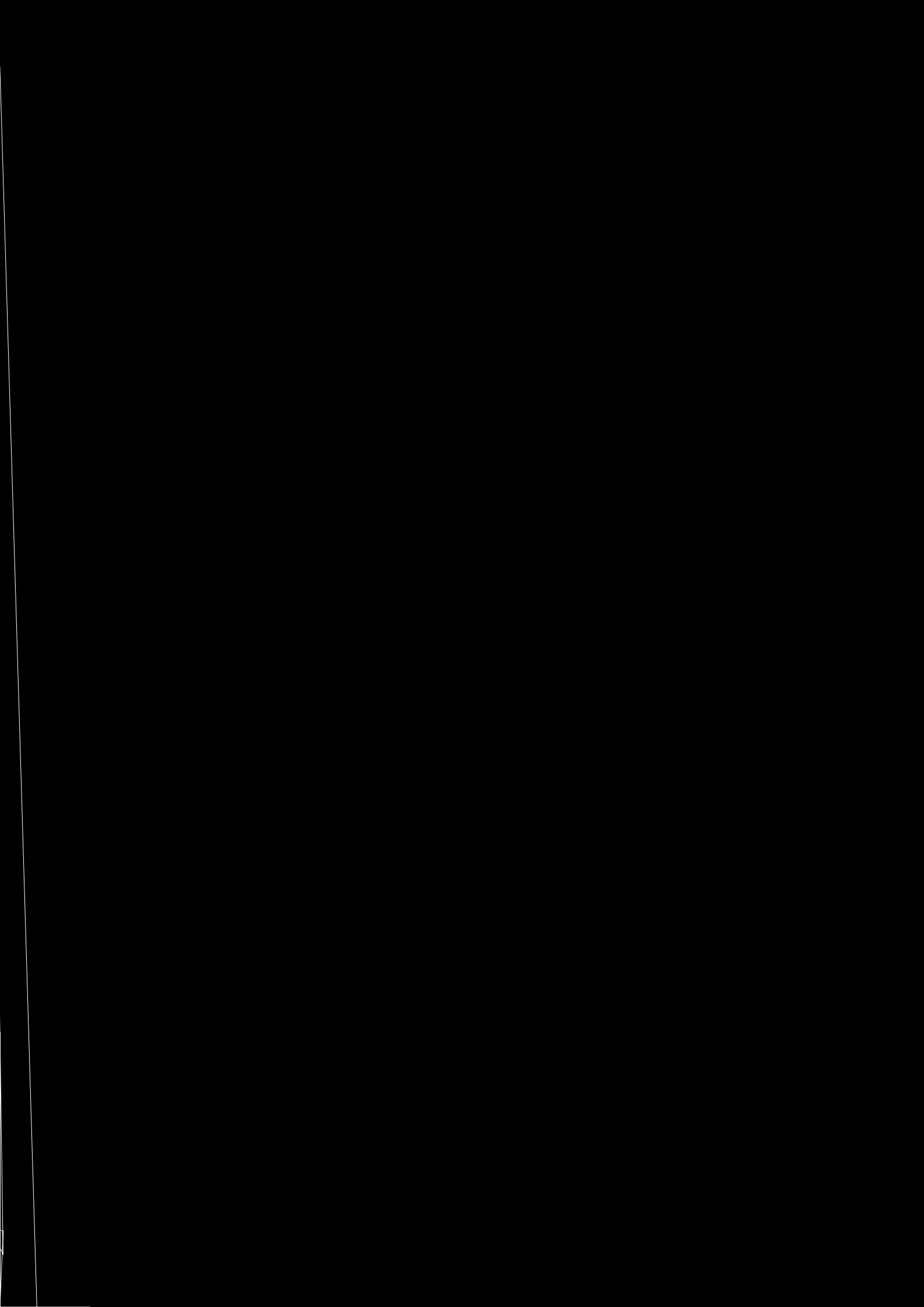
8E-6008

Jè Mb

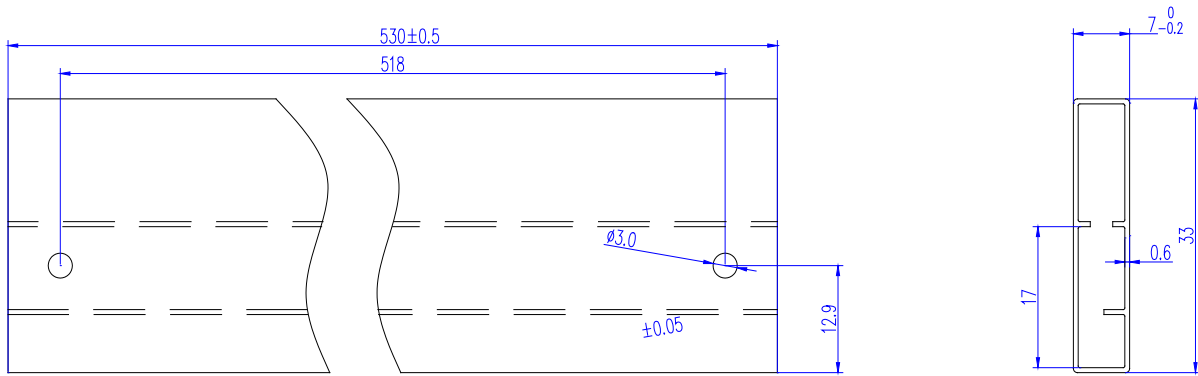
Co , d

ORDERING INFORMATION





DELIVERY MODE



1. 