



JST02H-1000SW 2A TRIAC

Rev.A.1.1

DESCRIPTION:

The 5 166

h 0.2

ORDERING INFORMATION

<u>J</u>	<u>ST</u>	<u>02</u>	<u>H</u>	<u>-1000</u>	<u>SW</u>
JieJie Microelectronics Co., Ltd.	Triacs	$I_{T(RMS)}:2A$	H:TO-251	1000:V _{DRM} /V _{RRM} 1000V	SW:IGT1-3 10mA

MARKING



JST02H

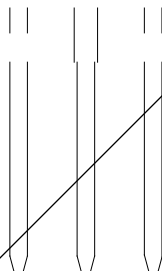


FIG.1: Maximum power dissipation versus RMS on-state current

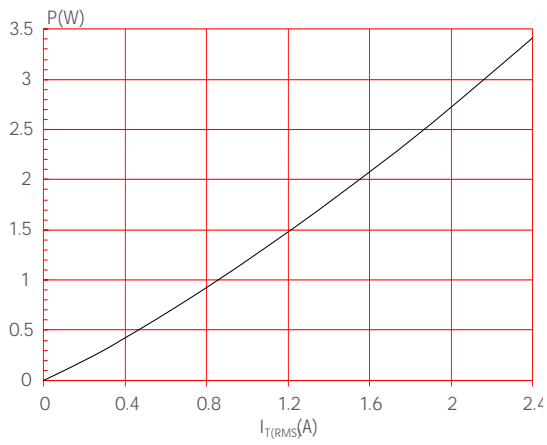
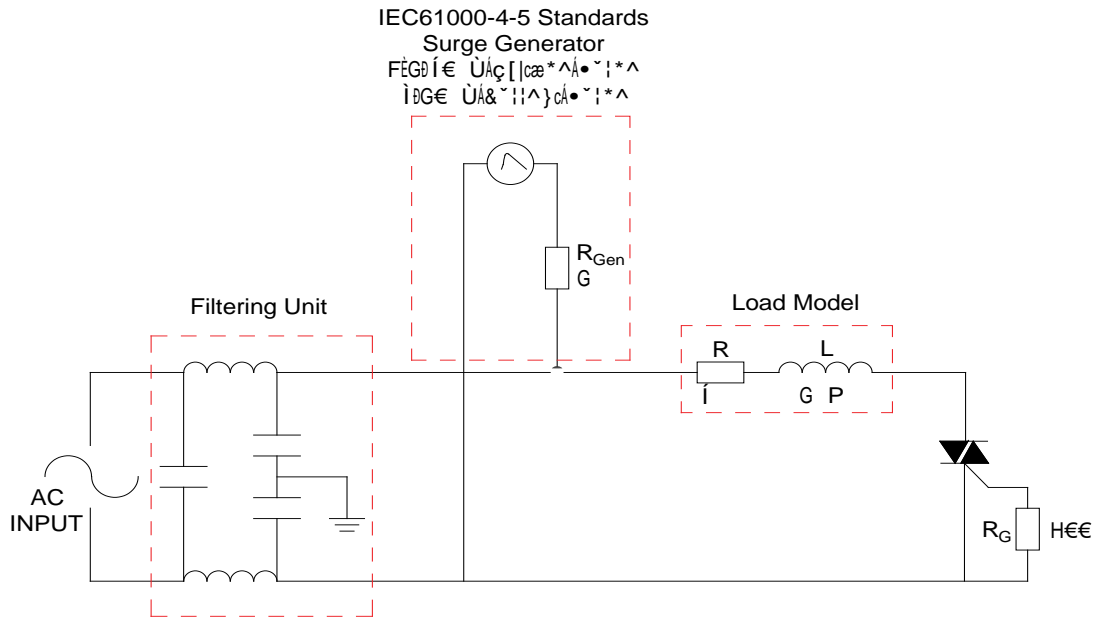


FIG.2: RMS on-state current versus case temperature



FIG.7 Test circuit for inductive and resistive loads to IEC-61000-4-5 standards



JST02H-10

JST02H-1000SW