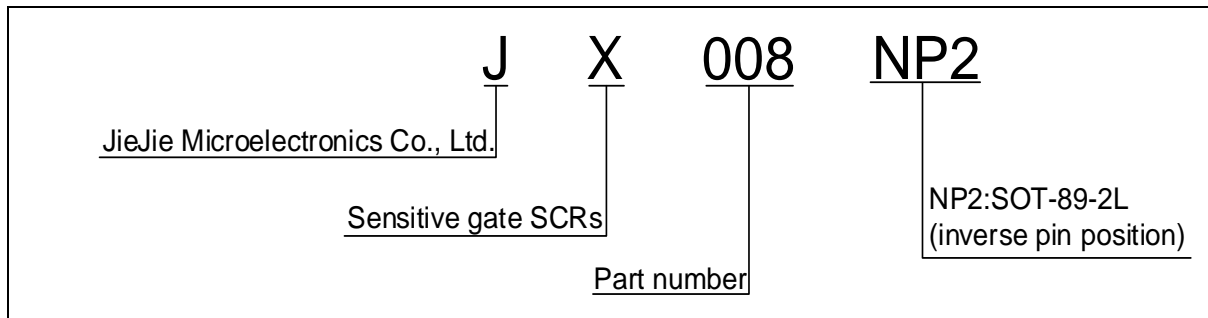


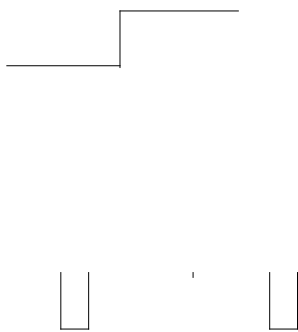




ORDERING INFORMATION



MARKING





**FIG.7:** Relative variations of gate trigger current, holding current and latching current versus junction temperature





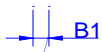
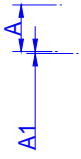
**ORDERING INFORMATION**

<b>Order code</b>	<b>Voltage V<sub>DRM</sub>/V<sub>RRM</sub> (V)</b>	<b>IGT    \$</b>	<b>Package</b>	<b>Base qty. (pcs)</b>	<b>Delivery mode</b>
<b>JX008NP2</b>	<b>800</b>	<b>"200</b>	<b>SOT-89-2L</b>	<b>4,000</b>	<b>Tape &amp; Reel</b>

**Document Revision History**

<b>Date</b>	<b>Revision</b>	<b>Changes</b>
Apr.12, 2023	A.1.0	Last update
Oct.16, 2025	A.1.1	Revise PACKAGE MECHANICAL DATA

PACKAGE MECHANICAL DATA



DELIVERY MODE

Ref.	Dimensions					
	Millimeters			Inches		
	Min.	Typ.	Max.	Min.	Typ.	Max.
E	1.65	1.75	1.85	0.065	0.069	0.073
F	5.45	5.50	5.55	0.215	0.217	0.219
P2	1.90	2.00	2.10	0.075	0.079	0.082
D	-	1.50	1.60	-	0.059	0.063
D1	1.50			0.059		
P0	3.90	4.00	4.10	0.154	0.157	0.161
10P0	39.80	40.00	40.20	1.5[1590.18675		1.583
W			12.30	0.0753-1633.4 (0.)2-1 (800		
P	7.90	8.00	8.10			
A0	5.20	5.30	5.40			K0
B0	4.80	4.90	5.00	0.157.005 Td 6(0.)2.8 (16)4		
K0	1.75	1.85	1.95			
t	0.20	0.25	0.30			5°
		3°	5°			

