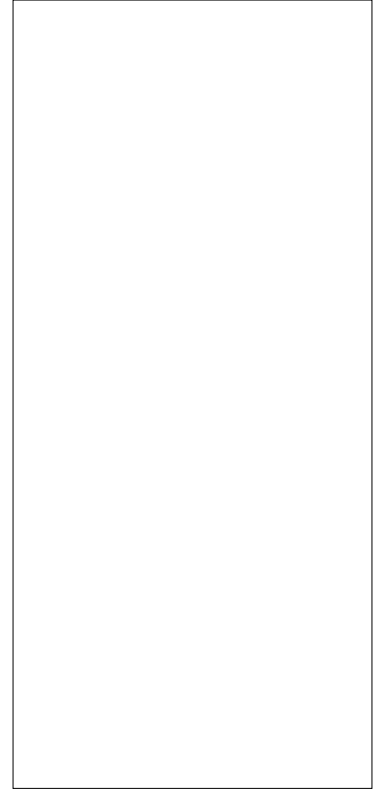




JCT820A

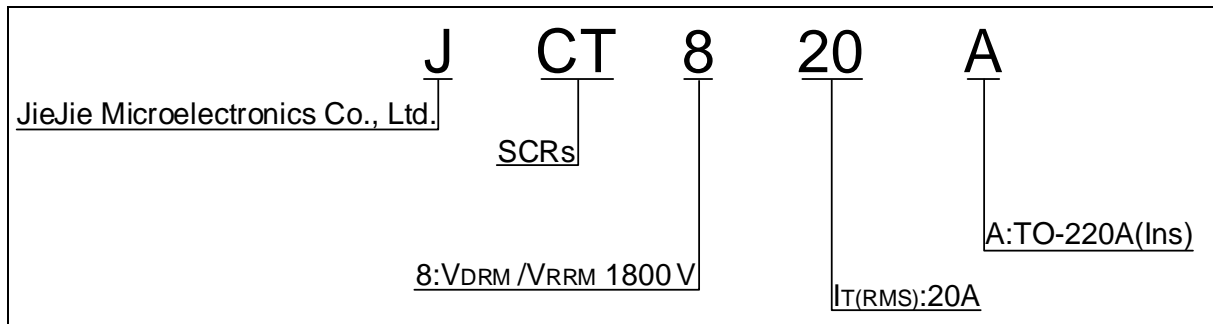


Peak gate current ($t_p=20\text{ s}$, $T_j=125\text{ }^\circ\text{C}$)	I_{GM}	5	A
Average gate power dissipation ($T_j=125\text{ }^\circ\text{C}$)	$P_{G(AV)}$	1	W
Peak gate power	P_{GM}	20	W
Peak pulse voltage ($T_j=25\text{ }^\circ\text{C}$; non-repetitive,off-state;FIG.7)	V_{pp}	0.5	kV

ELECTRICAL CHARACTERISTICS (unless otherwise specified)

Symbol	Test Condition	Value			Unit
		MIN.	TYP.	MAX.	
I_{GT}	$V_D=12\text{V}$ $R_D=33\text{ }\Omega$	-	-	15	mA
V_{GT}		-	-	1	V

ORDERING INFORMATION



MARKING

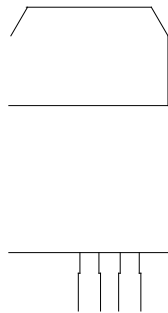


FIG.1: Maximum power dissipation versus RMS on-state current

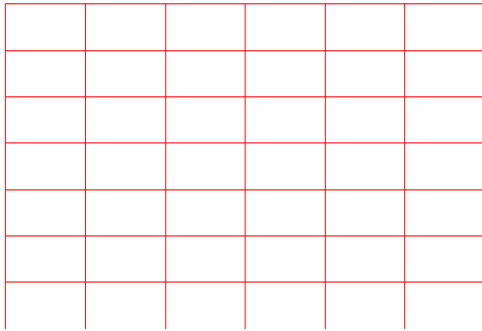


FIG.2: RMS on-state current versus case temperature

PACKAGE MECHANICAL DATA

