

# JIEJIE MICROELECTRONICS CO., LTD.

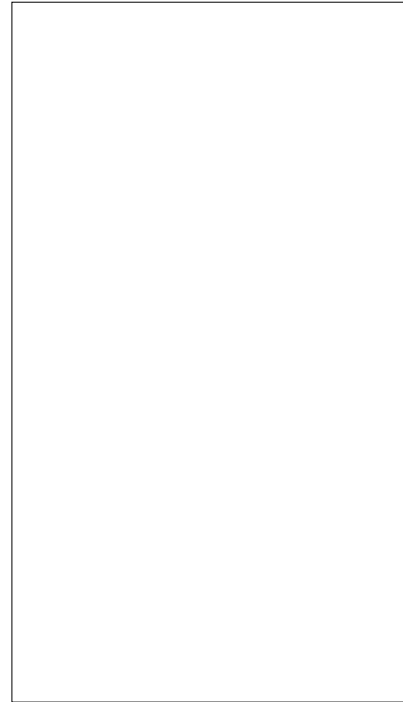
---

JCT816C 16A SCR

Rev.A.1.1

## DESCRIPTION:

With high ability to withstand the shock loading of large current, JCT816C of silicon controlled rectifiers provides high dV/dt rate with strong resistance to electromagnetic interference. It is especially recommended for use on solid state relay, motorcycle, power charger, T-tools etc. Package TO-220C is RoHS compliant.



## MAIN FEATURES

## ABSOLUTE MAXIMUM RATINGS

---

Parameter

Symbol

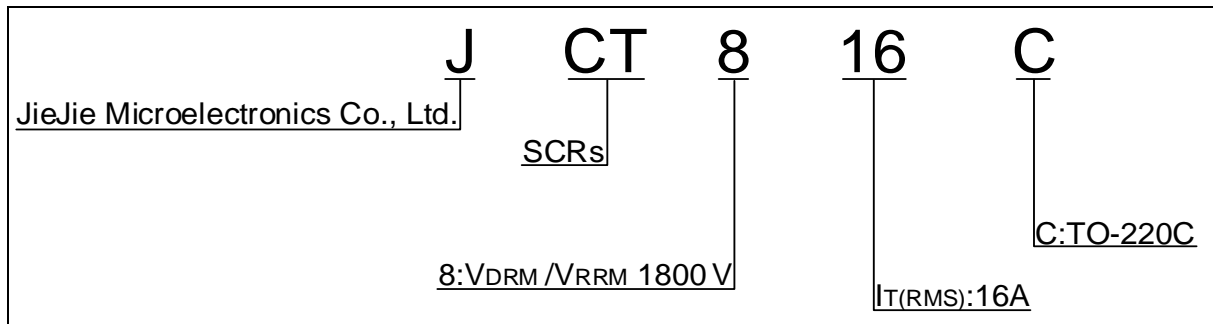
Value

Unit

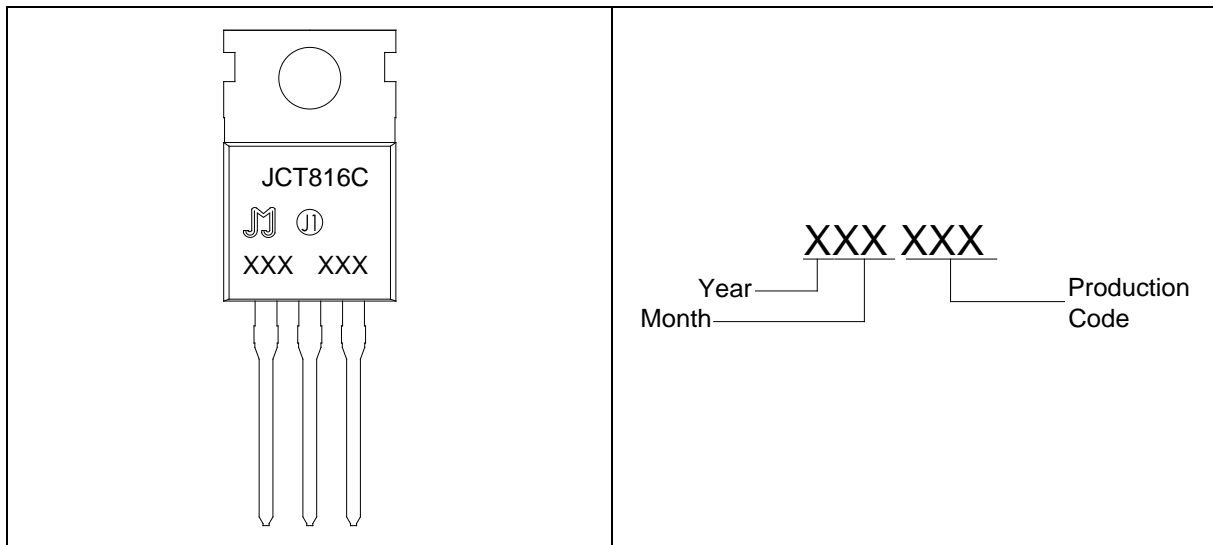
Average gate power dissipation ( $T_j=125$ )	$P_{G(AV)}$	1	W
Peak gate power	$P_{GM}$	20	W
Peak pulse voltage ( $T_j=25$ ; non-repetitive,off-state;FIG.7)	$V_{pp}$	0.5	kV

ELECTRICAL CHARACTERISTICS 8.04 261.6 65 0 0 14.04 70.92 656.4 Tmmmmmmmmmm

ORDERING INFORMATION



MARKING

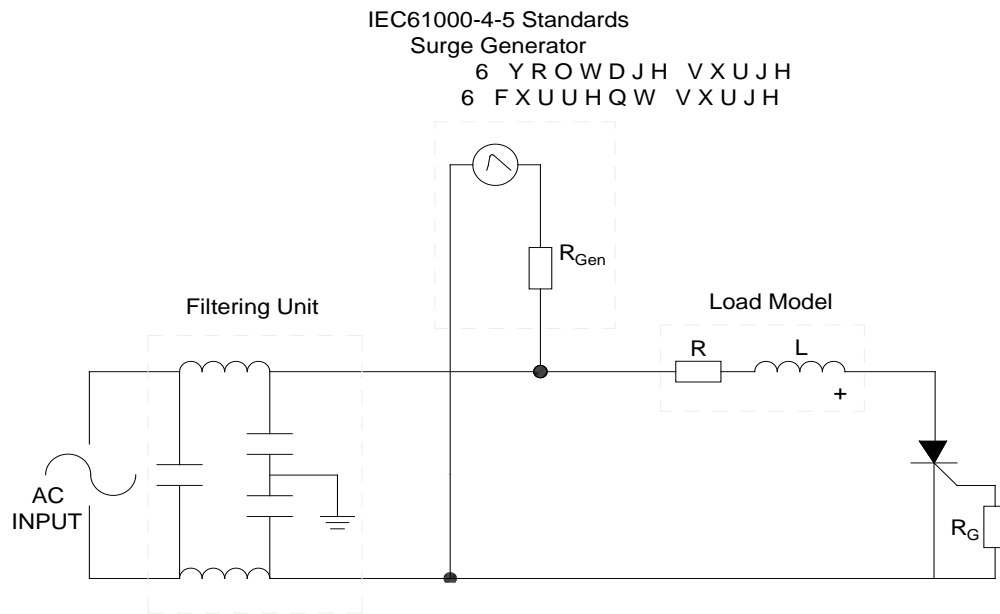


---

TEL 86-513-68528666

<http://www.jjwdz.com>

FIG.7 ÖTest circuit for inductive and resistive loads to IEC-61000-4-5 standards.



## ORDERING INFORMATION

Order code	Voltage $V_{DRM}/V_{RRM}$ (V)	IGT(mA)	Package	Base qty. (pcs)	Delivery mode
JCT816C	800	15	TO-220C	50	Tube

## Document Revision History

Date	Revision	Changes
Apr.13, 2023	A.1.0	Last update

PACKAGE MECHANICAL DATA



