



JCT612AH 12A SCR

DESCRIPTION:

With high ability to withstand the shock loading of large current, JCT612AH of silicon controlled rectifiers provides high dV/dt rate with strong resistance to electromagnetic interference. It is especially recommended for use on solid state relay, motorcycle, power charger, T-tools etc. From all three terminals to external heatsink, JCT612AH provides a rated insulation voltage of 2500 V_{RMS}, complying with UL standards (File ref: E252906). Package TO-220A is RoHS compliant.

MAIN FEATURES

ABSOLUTE MAXIMUM RATINGS

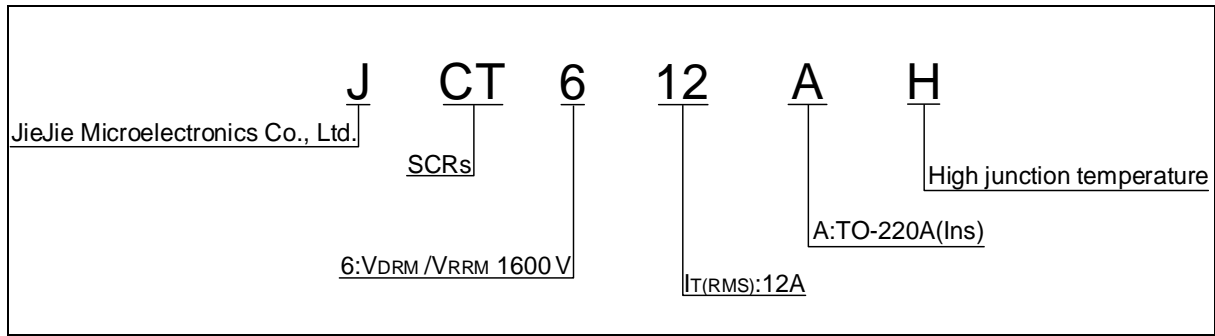
Parameter	Symbol
Storage junction temperature range	T _{stg}
Operating junction temperature range	T _j
Repetitive peak off-state voltage (T _j	

0-150

jur temperature rt, FE -7 (M))TJVperatuw 12 0 0 12 363.3

Average gate power dissipation ($T_j=150$)	$P_{G(AV)}$	1	W
--	-------------	---	---

ORDERING INFORMATION



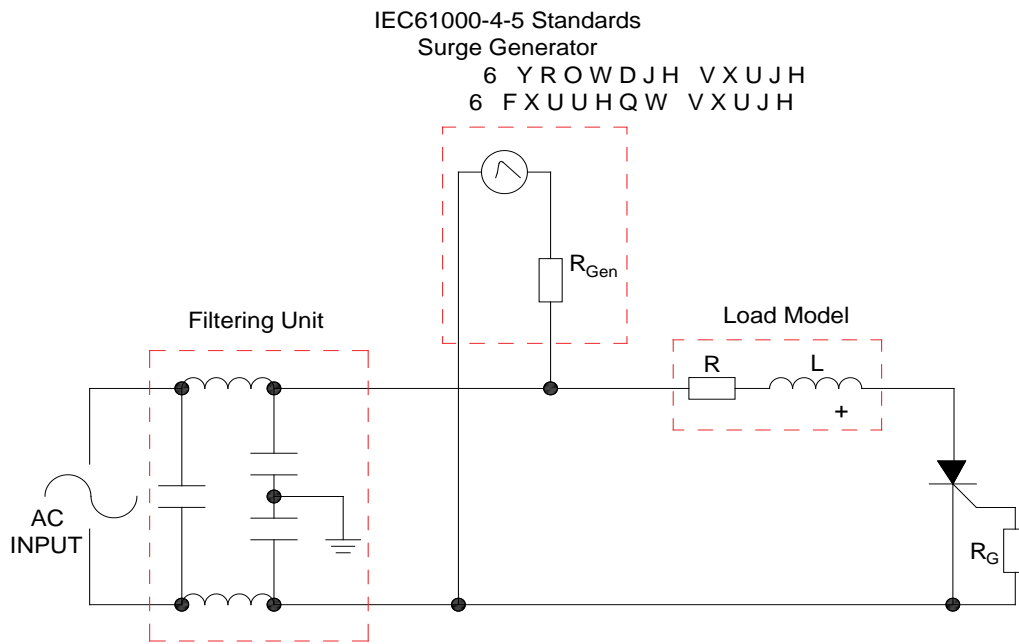
MARKING



JCT612AH

JieJie M

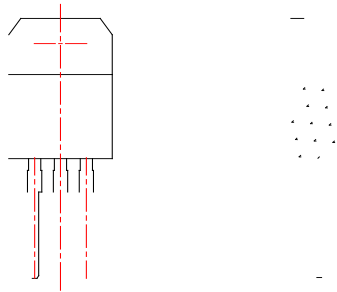
FIG.7 ÖTest circuit for inductive and resistive loads to IEC-61000-4-5 standards.




LEAD FORMING AND SOLDERING

Refer to the application note “Assembly Instructions for Thyristors in Through-hole Package” released by JieJie Microelectronics

PACKAGE MECHANICAL DATA



Information furnished in this document is believed to be accurate and reliable. However, Jiangsu JieJie Microelectronics Co., Ltd. assumes no responsibility for the consequences of use without consideration for such information nor use beyond it. Information mentioned in this document is subject to change without notice, apart from that when an agreement is signed, Jiangsu JieJie complies with the agreement. Products and information provided in this document have no infringement of patents. Jiangsu JieJie assumes no responsibility for any infringement of other rights of third parties which may result from the use of such products and information. This document supersedes and replaces all information previously supplied.

 is a registered trademark of Jiangsu JieJie Microelectronics Co., Ltd. Copyright © 2025 Jiangsu JieJie Microelectronics Co., Ltd. All rights reserved.