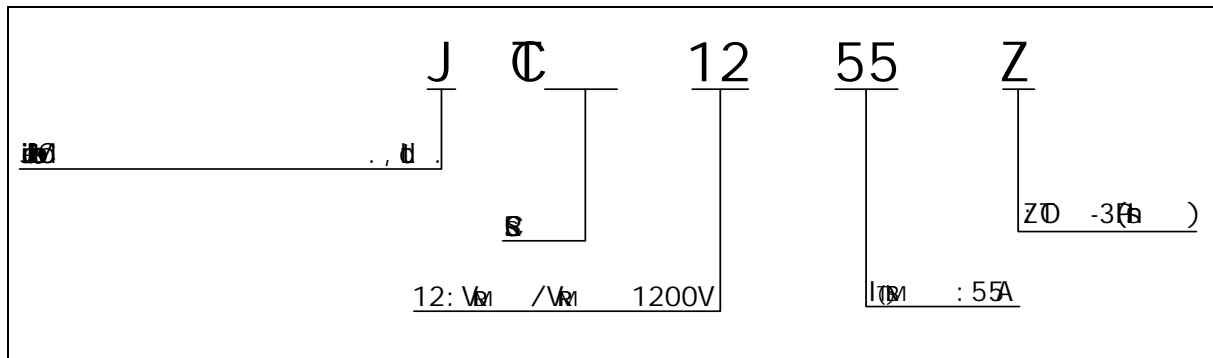


LTD.

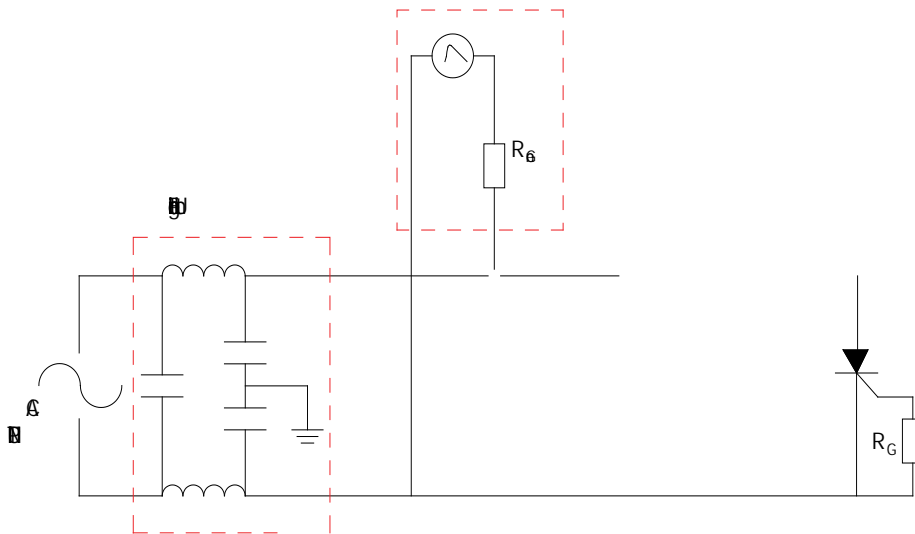
JCT1255Z

I_{CM}	($V_{CE}=20$ & $T_j=125$)	I_{CM}	10	A
P_{CM}	($T_j=125$)	P_{CM}	1	W
P_{DM}		P_{DM}	20	W (50% D & $V_{CE} < V_{CE0}$)

ORDERING INFORMATION



61000-4-5



PACKAGE MECHANICAL DATA

