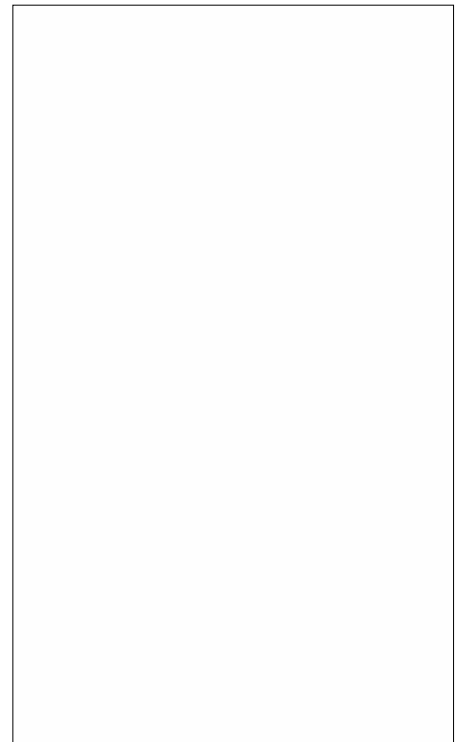


urpose
 nction in
 on motor
 ight
 25-8H
 e turn-off
 00-4-5
 t.



Symbol	Value	Unit
T_{stg}	-40-150	
T_j	-40-125	

V_{RRM}	800	V
-----------	-----	---

I_R

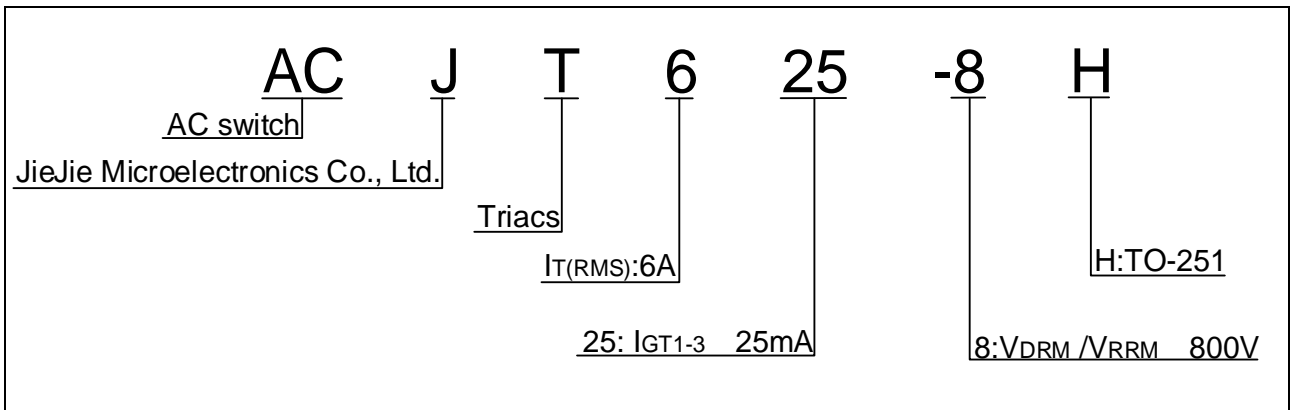
Peak pulse voltage ($T_j=25$; non-repetitive, off-state; FIG.7)	V_{pp}	3.5	kV
----------------------------------------------------------------------	----------	-----	----

ELECTRICAL CHARACTERISTICS ($T_j=25$ unless otherwise specified)

Symbol	Test Condition	Quadrant	Value		Unit
I_{GT}	$V_D=12V$ $R_L=33$	- -	MAX.	25	mA
V_{GT}		- -	MAX.	1	V
V_{GD}	$V_D=V_{DRM}$ $T_j=125$ $R_L=3.3k$	- -	MIN.	0.2	V
I_L	$I_G=1.2I_{GT}$	-	MAX.	40	mA
				60	
I_H	$I_T=100mA$		MAX.	40	mA
dV/dt	$V_D=540V$ Gate Open $T_j=125$		MIN.	2500	V/ μs
$(dI/dt)_c$	$(dV/dt)_c=20V/\mu s$, $T_j=125$		MIN.	8	A

MIN.

ORDERING INFORMATION



MARKING

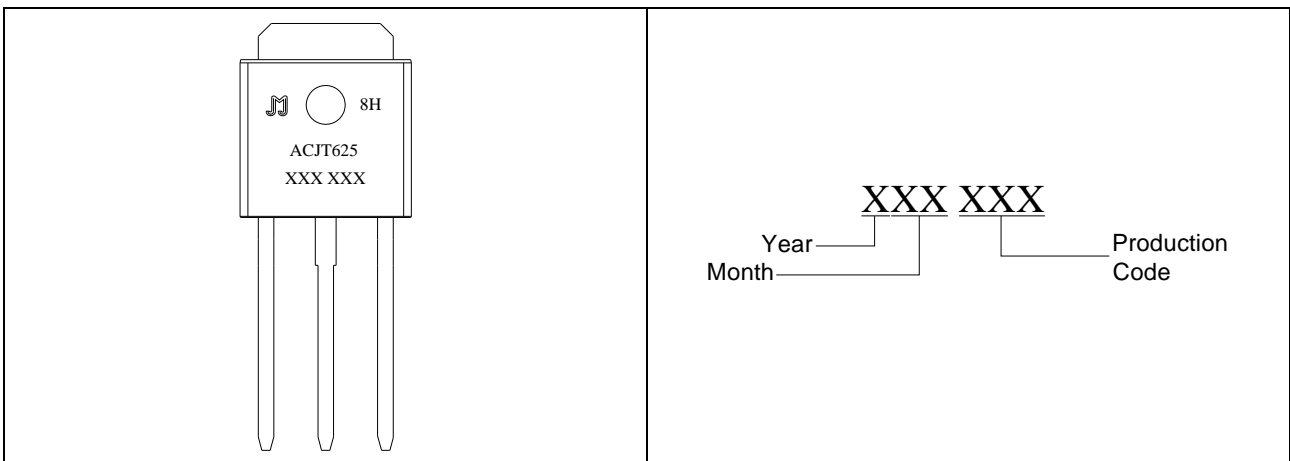
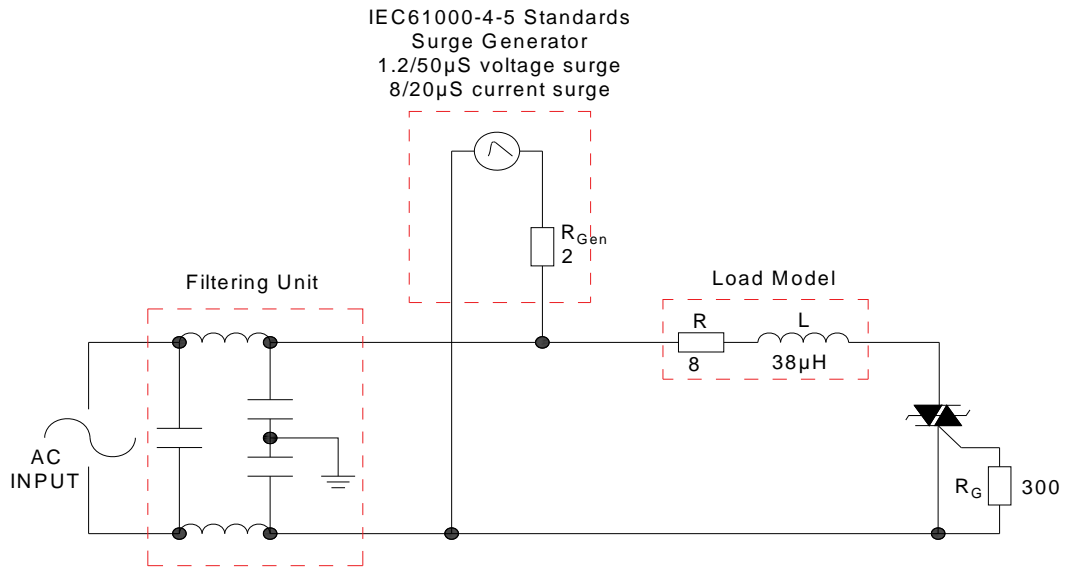


FIG.7 Test circuit for inductive and resistive loads to IEC-61000-4-5 standards



LEAD FORMING AND SOLDERING

ORDERING INFORMATION

Order code	Voltage V_{DRM}/V_{RRM} (V)	IGT(mA)	Package	Base qty. (pcs)	Delivery mode
ACJT625-8H	800	25	TO-251	80	Tube


Document Revision History

Date	Revision	Changes
------	----------	---------

J (J J

Information furnished in this document is believed to be accurate and reliable. However, Jiangsu JieJie Microelectronics Co., Ltd. assumes no responsibility for the consequences of use without consideration for such information nor use beyond it. Information mentioned in this document is subject to change without notice, apart from that when an agreement is signed, Jiangsu JieJie complies with the agreement.

Products and information provided in this document have no infringement of patents. Jiangsu JieJie assumes no responsibility for any infringement of other rights of third parties which may result from the use of such products and information. This document supersedes and replaces all information previously supplied.

 is a registered trademark of Jiangsu JieJie Microelectronics Co., Ltd.
Copyright © 2025 Jiangsu JieJie Microelectronics Co., Ltd. All rights reserved.