

P_{GM}	$(T_j=125^\circ C)$	P_{GM}	0.5	W
P_{GM}		P_{GM}	10	W
V_p	$(T_j=25^\circ C; \rho=10^{-6} \Omega \cdot cm \text{ -FIG.7})$	V_p	3.5	V

ELECTRICAL CHARACTERISTICS (T_j=25°C)

Symbol	Test Condition	Quadrant	Value		Unit
I_{GT}	$V_D=12V, L=33\mu H$	- -	MAX	25	A
V_{GT}		- -	MAX	1	V

$V_{GD} \leq 0V$

ORDERING INFORMATION

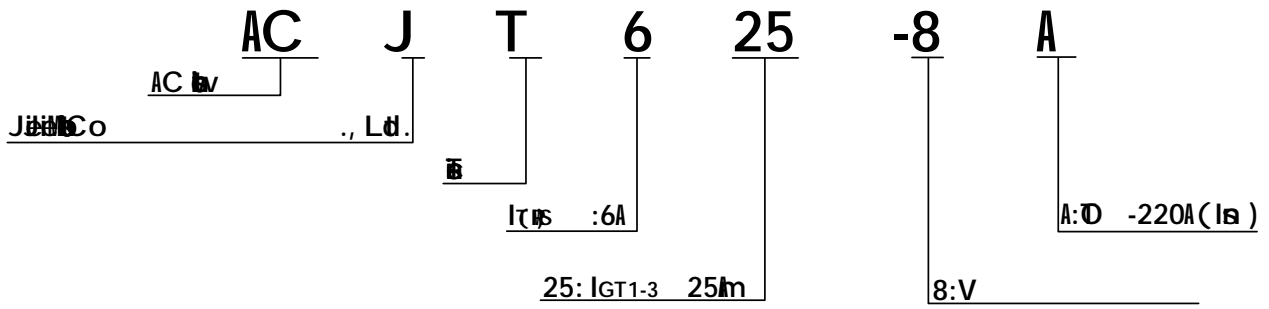


FIG.1: ~~Micro~~

~~0 0a~~

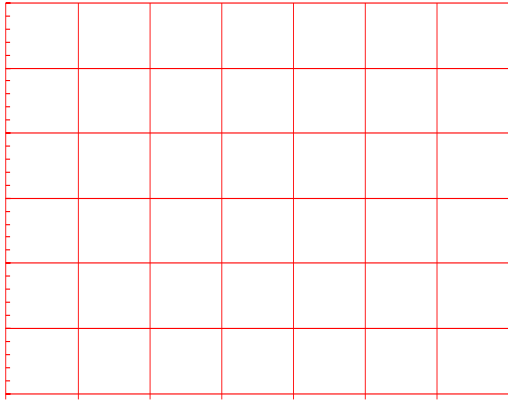


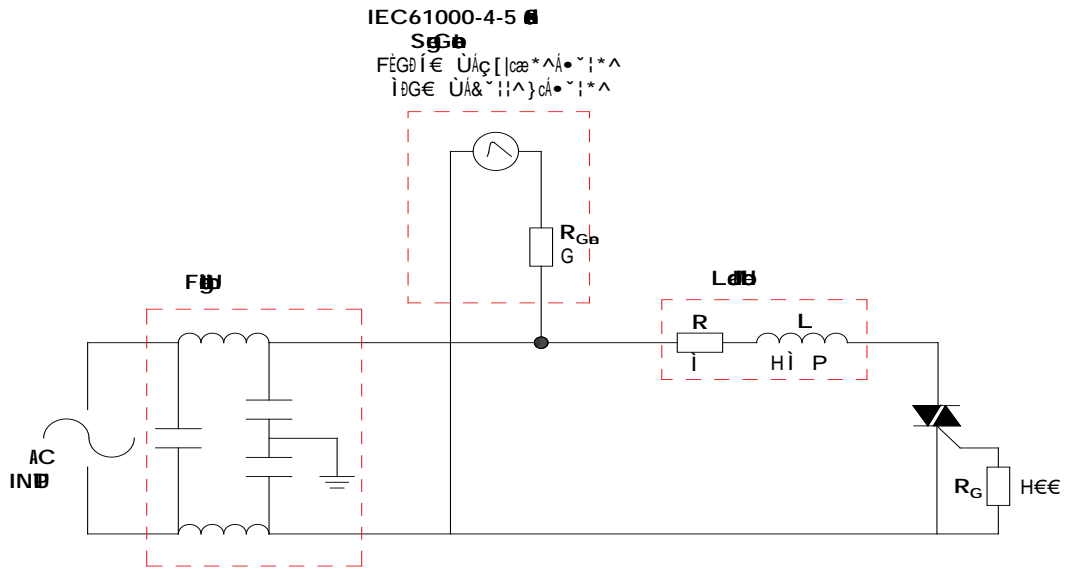
FIG.2: ~~Micro~~

~~0 0a~~

~~0 0a~~

FIG.7

-61000-4-5



ORDERING INFORMATION

Order code	Voltage V_{DRM}/V_{RRM} (V)	IGT(mA)	Package	Base qty. (pcs)	Delivery mode
ACJT625-8A	800	25	TO-220A(Ins)	50	Tube

Document Revision History

Date	Version	Change
Apr. 14, 2023	A. 1.0	Initial
03, 2025	A. 1.1	REWORK PACKAGE MECHANICAL DRAW

PACKAGE MECHANICAL DATA

