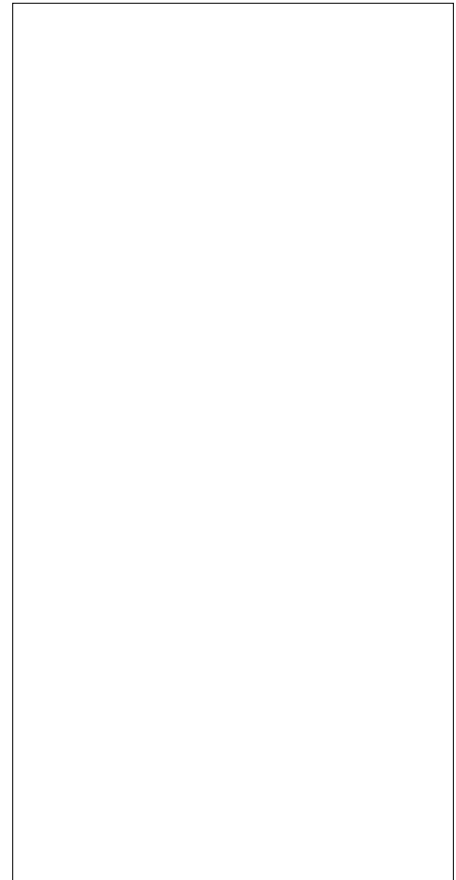


ACJT410-8A 4A TRIAC

Rev.A.1.1

## DESCRIPTION:

The ACJT410-8A triac is suitable for general purpose AC switching. It can be used as an ON/OFF function in applications such as heating regulation, induction motor starting circuits, for phase control operation in light dimmers, motor speed controllers. The ACJT410-8A embeds a TVS structure to absorb the inductive turn-off energy such as those described in the IEC 61000-4-5 standards. By using an internal ceramic pad, ACJT410-8A provides a rated insulation voltage of 2500 VRMS, complying with UL standards (File ref: E252906). Package TO-220A is RoHS compliant.



## MAIN FEATURES

## ABSOLUTE MAXIMUM RATINGS

Parameter	Symbol	Value	Unit
Storage junction temperature range	$T_{stg}$	-40-150	
Operating junction temperature range	$T_j$	-40-125	
Repetitive peak off-state voltage ( $T_j=25$ )	$V_{DRM}$	800	V
Repetitive peak reverse voltage ( $T_j=25$ )	$V_{RRM}$	800	V
RMS on-state current ( $T_c$ 0106 )	$I_{T(RMS)}$	4	A

Non repetitive surge peak on-state current  
(full cycle ,  $t_p=20ms$  ,  $T_j=25$ )

---

Average gate power dissipation ( $T_j=125$  )

$P_{G(AV)}$

0.5

W

ORDERING INFORMATION

AC   J   T   4   10   -8   A

FIG.1: Maximum power dissipation versus RMS on-state current

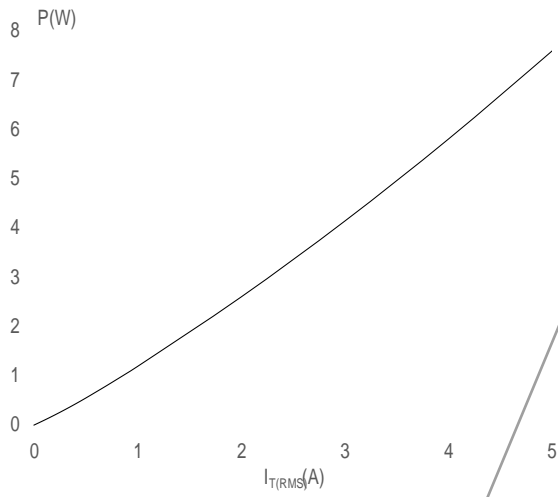


FIG.3: Surge peak on-state current versus number of cycles

FIG.2: RMS on-state current versus case temperature

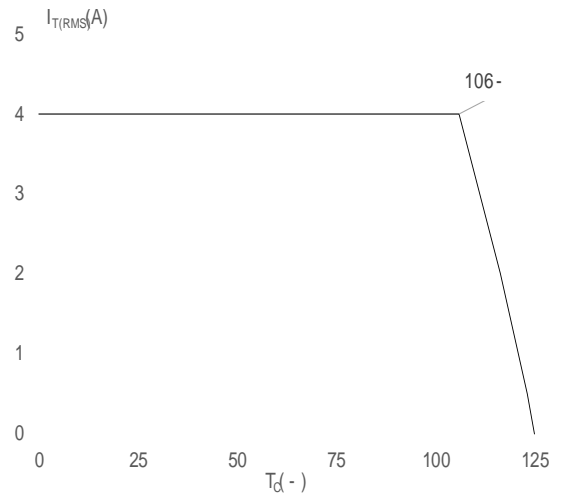
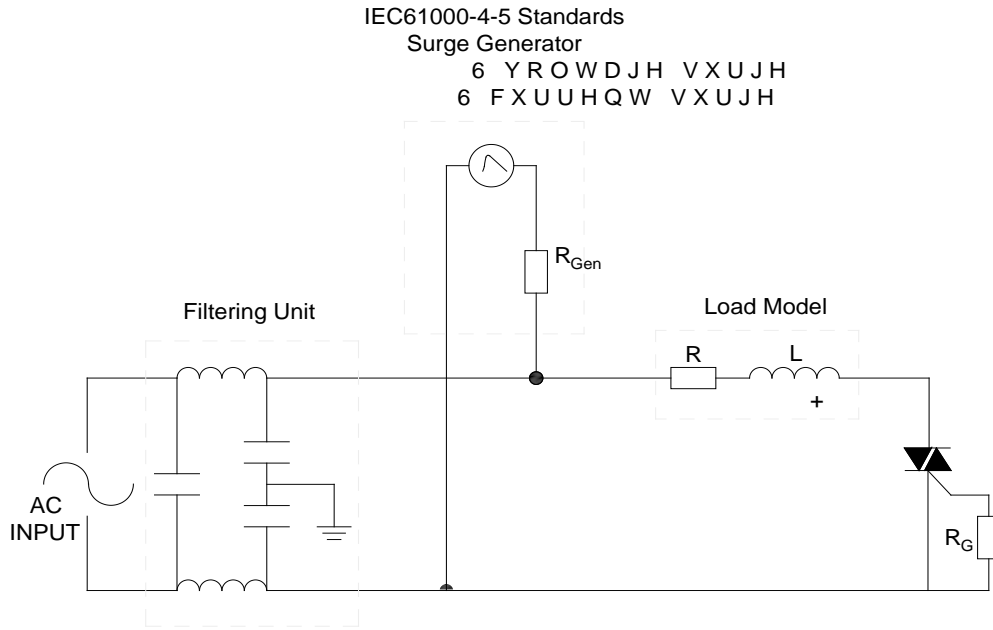


FIG.4: On-state characteristics

FIG.7 ÖTest circuit for inductive and resistive loads to IEC-61000-4-5 standards





ACJ

