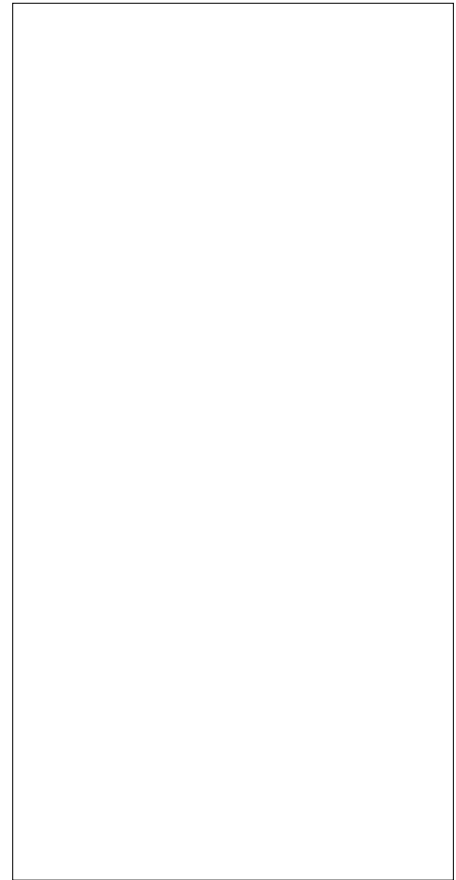


ACJT1210-8A 12A TRIAC

Rev.A.1.1

DESCRIPTION:

The ACJT1210-8A triac is suitable for general purpose AC switching. It can be used as an ON/OFF function in applications such as heating regulation, induction motor starting circuits, for phase control operation in light dimmers, motor speed controllers. The ACJT1210-8A embeds a TVS structure to absorb the inductive turn-off



Average gate power dissipation ($T_j=125$)	$P_{G(AV)}$	0.5	W
Peak gate power	P_{GM}	10	W
Peak pulse voltage ($T_j=25$; non-repetitive, off-state; FIG.7)	V_{pp}	4.5	kV

ELECTRICAL CHARACTERISTICS (unless otherwise specified)

Symbol	Test Condition	Quadrant	Value	Unit
--------	----------------	----------	-------	------

ORDERING INFORMATION

AC AC switch JieJie Microelectronics Co., Ltd.	J Triacs	T IT(RMS):12A	12 10: IGT1-3 010mA	10	-8 8:VDRM /VRRM 1800V	A A:TO-220A(Ins)
---	--------------------	-------------------------	-------------------------------	-----------	---------------------------------	----------------------------

MARKING

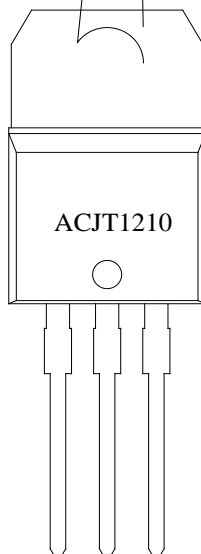


FIG.1: Maximum power dissipation versus on-state current

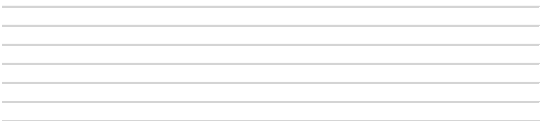
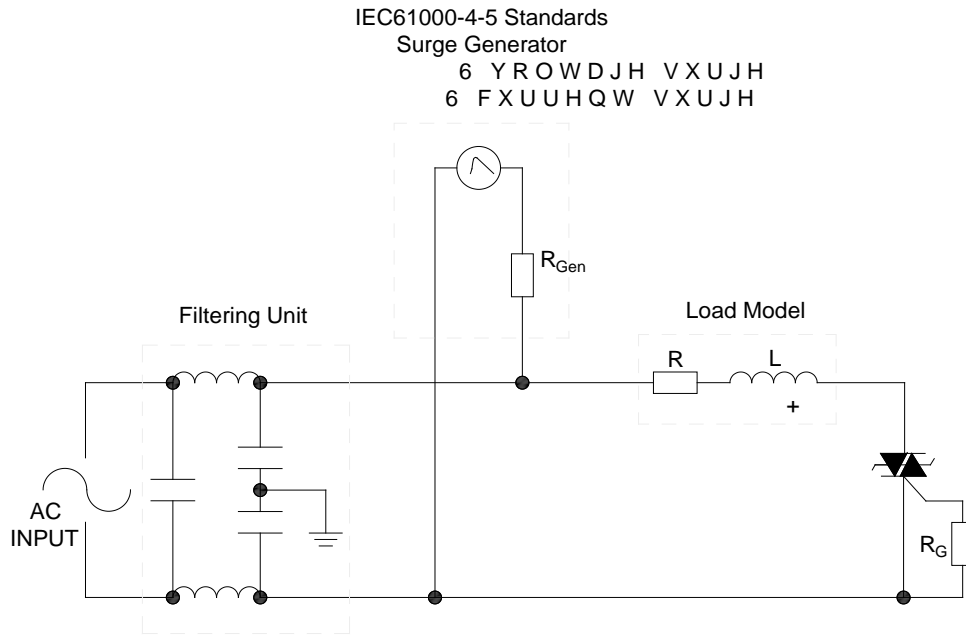


FIG.2: RS on-state current versus case temperature

FIG.7 ÖTest circuit for inductive and resistive loads to IEC-61000-4-5 standards



LEAD FORMING AND SOLDERING

Refer to the application note “Assembly Instructions for Thyristors in Through-hole Package” released by JieJie Microelectronics

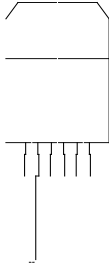
ORDERING INFORMATION

Order code	Voltage V_{DRM}/V_{RRM} (V)	IGT(mA)	Package	Base qty. (pcs)	Delivery mode
ACJT1210-8A	800	10	TO-220A(Ins)	50	Tube

Document Revision History

Date	Revision	Changes
Apr.13, 2023	1.0	Last updated
Oct.13, 2025	A.1.1	Revise PACKAGE MECHANICAL DATA

PACKAGE MECHANICAL DATA



Information furnished in this document is believed to be accurate and reliable. However, Jiangsu JieJie Microelect(i)6 (-1.3 <</MD 21 >>BDC EMC BDC)937 or,>BDC 0.004 Tc -0.0045Tw