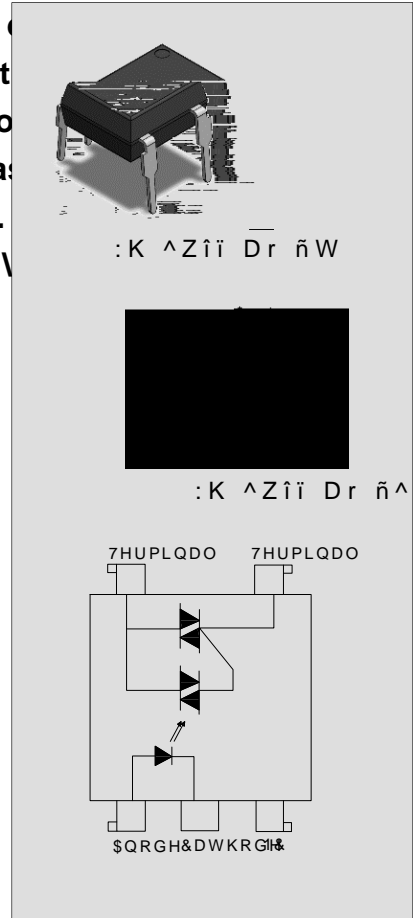




59 o/k Lt u L \ b

The products are 5-pin solid-state relay opto-couplers. The device combines an AlGaAs infrared emitting diode as the emitter which is optically coupled to a monolithic silicon random-phase photo triac to drive a power triac in a plastic DIP5 package with different lead forms and options. The products are widely used in solenoid/valve controls, lighting controls, motor controls, temperature controls, static AC power switches, solid state relays, interfacing microprocessors to 265V peripherals.



Temperature

Isolation: 5000 Vrms

DC input / triac output

Operating temperature range: -40 °C to 110 °C

REACT / RoS compliance

BM: 3B / MM: M4 / CDM: C3

CEC approved

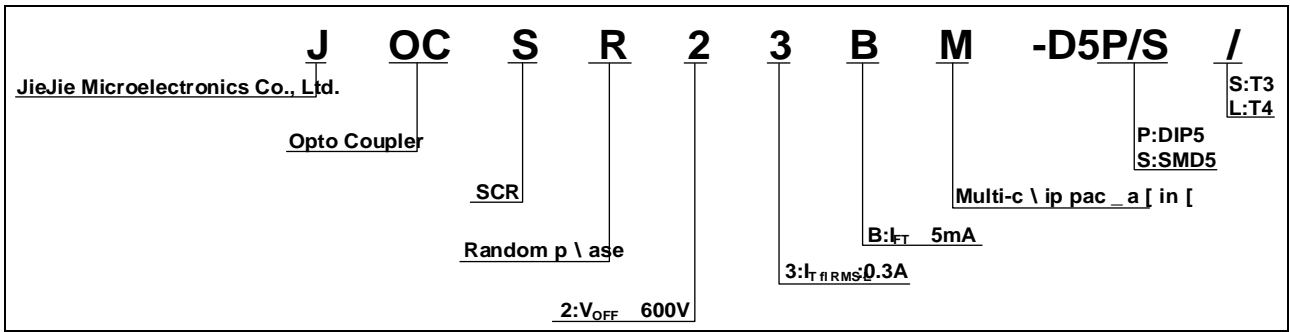
VDE approved

UL approved

Temperature

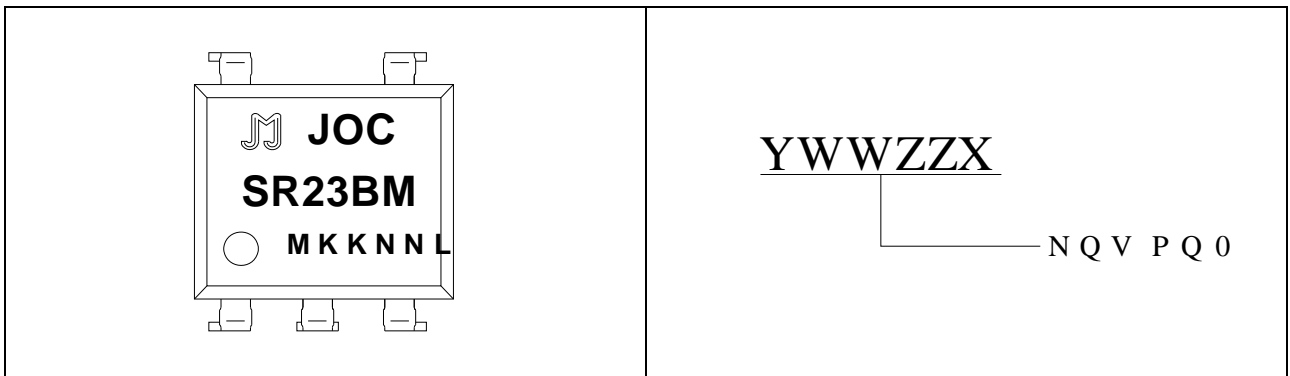
Parameter		Symbol	Value	Unit
Input	Forward Current	I_F	50	mA
	Peak Forward Current	I_{FP}	1	A
	Reverse Voltage	V_R	6	V
	Power Dissipation	P_D	75	mW
Output	Repetitive peak on-state voltage	V_{DRM}	600	V
	Repetitive peak reverse voltage	V_{RRM}	600	V
	Critical rate of rise of state current	di/dt	100	A/ s
	On-state RMS Current @ 80°C	$I_{T(RMS)}$	7.5	A
	1RQ UHSHWJLWISYHDNRQ VWDWH			
	FXUUHQW IXOQV\FOH W ⁷⁶⁰			
MXQFWLRQ WR FDVH \$ & 5WK MF			:	

\ k 59 k LbD LbC \ ka ° uL \ b



t v	
\	v
5Lt	y u
o a5	y k

a ° k MLbD



/

/

FIG.1: Max. Allowable LED Forward Current vs. Ambient Temperature

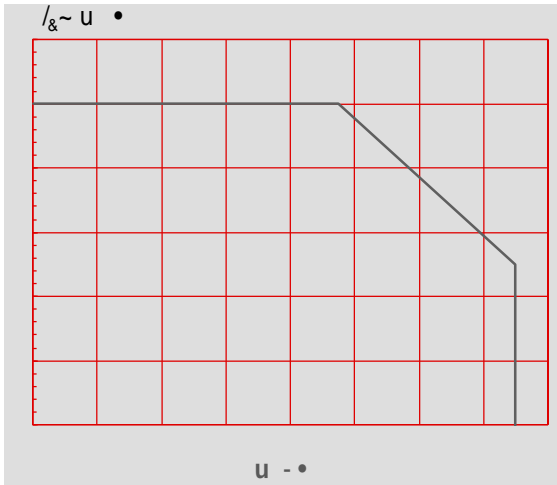


FIG.2: On-state Terminal Current vs. Ambient Temperature

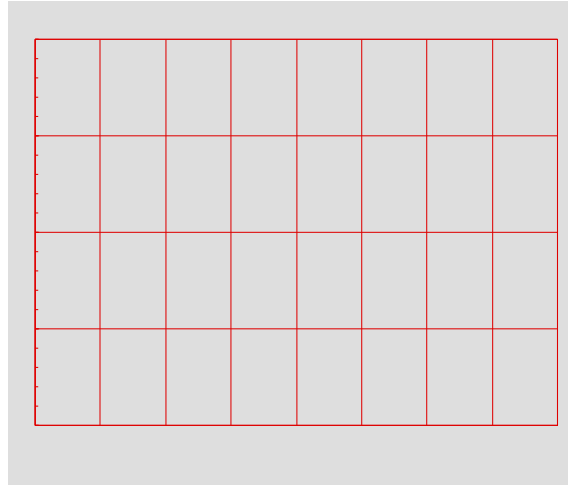


FIG.7: On-state characteristics

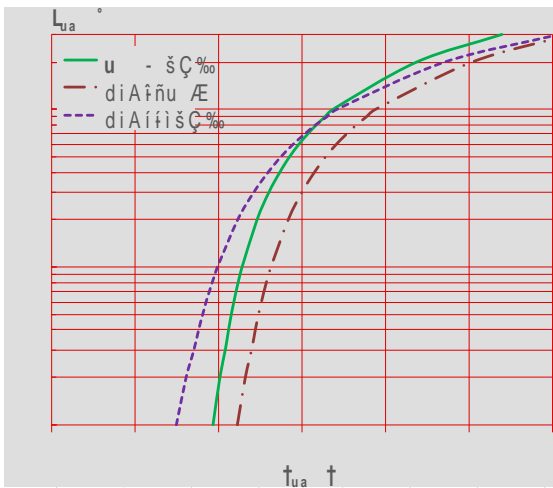


FIG.8: Normalized α vs. Ambient Temperature

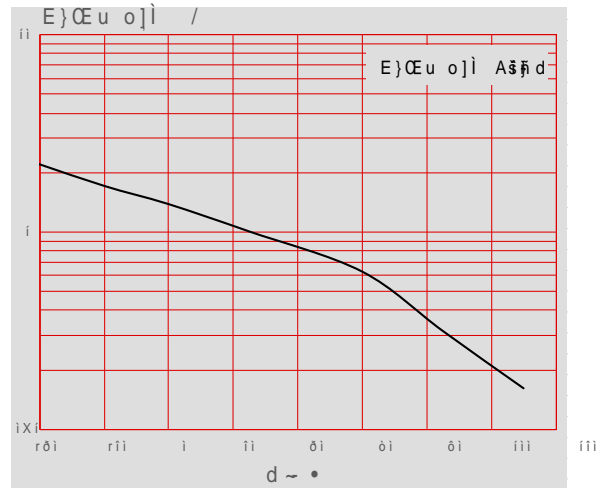
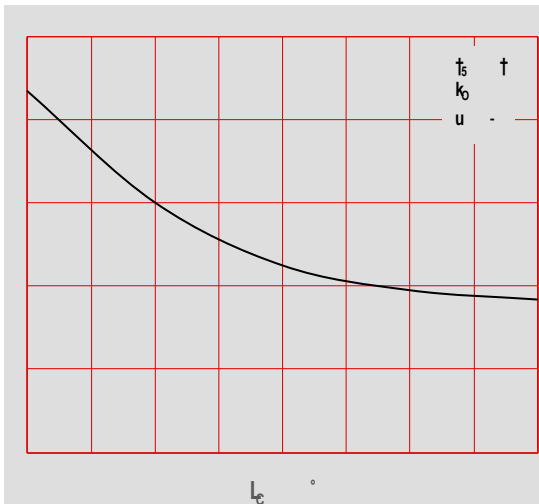


FIG.9: Turn On Time vs. Forward Current

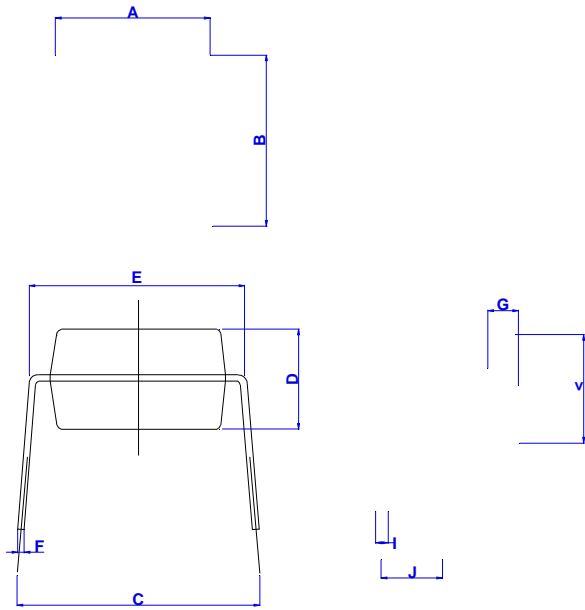


t

5

y

Standard DIP Type:



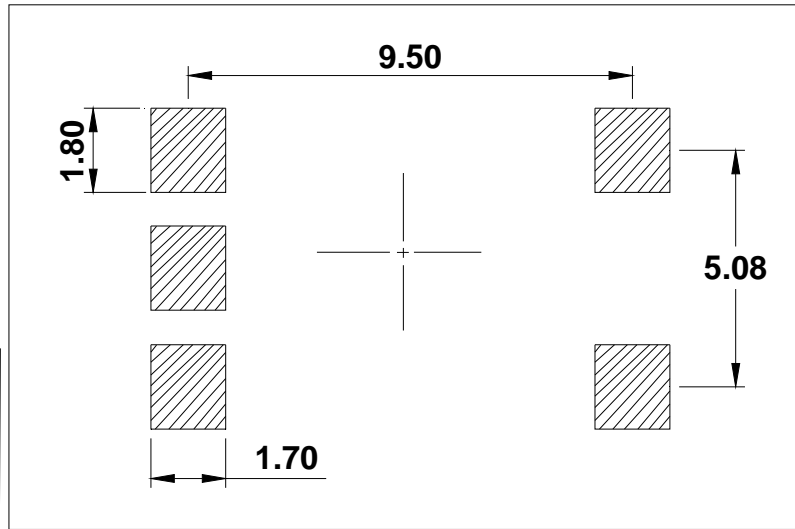
Dimensions

Millimeters

Inch

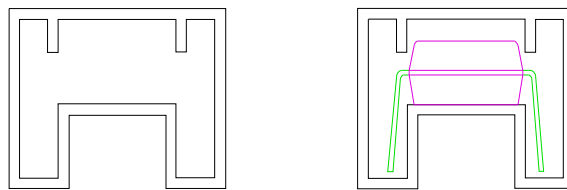
Option SMD

Option SMD

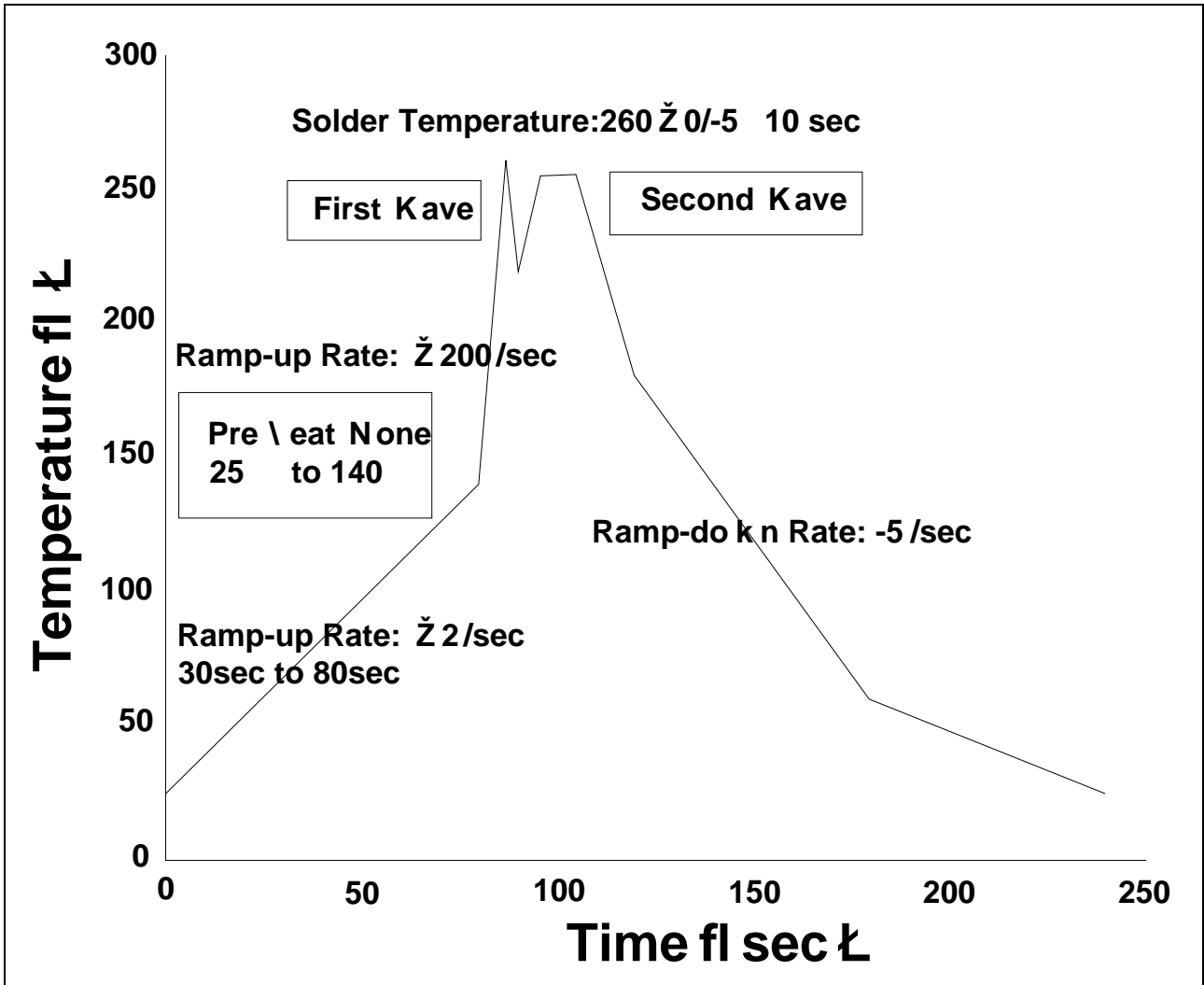


Standard DIP

Standard DIP



‡ ° †9 o \ O59 k LbD



I ° b5 o \ O59 k LbD . ' o \ O59 k LbD L k \ b	
Solderin [Temperature	360w5
Solderin [Time	3s max.

Note:

1. Re Z lo k solderin [is recommended at t \ e temperatures and times s \ o k n, no more t \ ree times.
2. Avoid direct contact bet k e e n \ e epoxy body and any tools osur Z aces exceedin [its maximum stora [e temperature.
3. Application o Z p s s u r e c b n t \ e epoxy body M M V- e-