



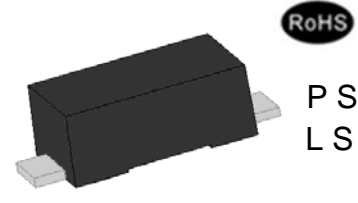
-, (-, (0, & 5 2 (/ (& 7 5 2 1, & 6 & 2 /

3[[[['% 7 6 6

5 H

^ Z/Wd/KE

3[[[['% VHULHV DUH D W\SH RI VHPLF
7KH\ DUH GHVLJQHG WR SURWHFW EI
GDPDJLQJ RYHUYROWDJH WUDQVLHQ



PSRQHQV
LSPHQW

62')/

& dhZ ^

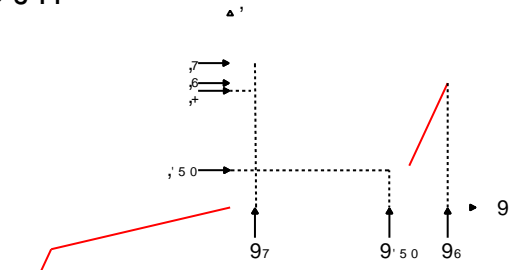
- /RZ SURILOH SDFNDJH
- /RZ RQ VWDWH YROWDJH
- ([FHOOHQW FDSDUHQJLWWRDQVHVHQW VXUJH
- 4XLFN UHVSQRVH WR VXUJH YROWDJH QV /HYHO
- (OLPLQDWHV RYHUYROWDJH FDXVHG E\ IDVW ULVLQJ WU
- 0RLVWXUH\WHYH\VL\HLWHO
- ,(& (6' " N9U " N9 FRQWDFW
- 1RQ GHJHQHUDWLYH

^K>hd D y/DhD Z d/E' \$+ XQOHVV RWKHUZZLVH QRWHG

3DUDPHWHU		6\PERO	9DOXH
6WRUDJH WHPSHUDWXUH UDQJH _{67*}		WR	7
2SHUDWLQJWHPSHUDWXUH UDQJH		WR	
5HSHWLWLYH SHDN SXOVH FXUUHQW#		V	\$,

> dZ/ > , Z d Z d/ ^

6\PERO	3DUDPHWHU
9 ₅₀	3HDN RII VWDWH YROWDJH
, ₅₀	2II VWDWH FXUUHQW
9 ₆	6ZLWFKLQJ YROWDJH
, ₆	6ZLWFKLQJ FXUUHQW
9 ₇	2Q VWDWH YROWDJH
, ₇	2Q VWDWH FXUUHQW
,+	+ROGLQJ FXUUHQW
&2	2II VWDWH FDSDFLWDQFH



3[[[['%

0\$5.,1*



3 '% 'HYLFH 0DUNLQJ &RGH

> dZ/ > , Z d Z^d/ ARQWLQXHG

3DUW 1XPEHU	,50 #9'50		6 #,6		9 97#,7		+	2	, & SDUNLQJ
	\$	9	9	P\$	9	\$	P\$		
	PD[PD[PD[PD[PD[W\	S	PD[
3 '%									3 '%
3 '%									3 '%

7 96 LV PHDVXUHG DW N9 V

8 2II VWDWH FDSDFLWDQ&H9LV9PHDMXUHG LQ 9

^hZ' Z d/E'^

6HULHV	,33 \$ PLQ			
	V	V	V	V
%				

KZ Z/E' /E&KZD d/KE

3		'		%	
6HULHV	FRGH	6XUJH UDWLQJV		.9	
3 6,'\$&		3DFNDJH W\SH 62')/			
0HGLDQ YROWDJH		%L		GLUHFWRQ	

3[[[['%

-LH-LH 0LFURHOHFWURQLF

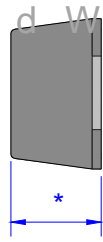
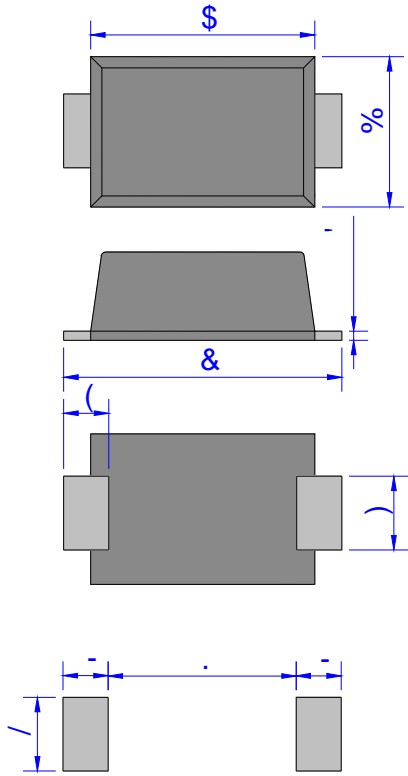
^K> Z/E' W Z D d Z^

5HIORZ &RQGLWLRQ

3E)UHH DVVHPEO\
VHH),*

3 [[[[' %

W < ' D , E / > d

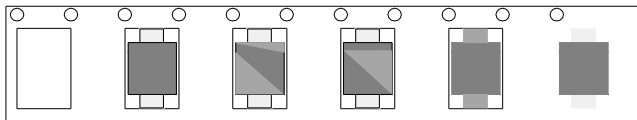


E 7, R \$ b a) e À 0 " ! Â 6c7L ,7,

	'LPHQVLRQV			
5HI	0LOOLPHW,	Q	U	KHV
	0LQ 0D[0LQ	0D[
\$				
%				
&				
'				
(
)				
*				
-				
.				
/				

6 2 ') /

d W E Z > ^ W / & / d / K E r ^ K r í î ï & >



-LH-LH SURGXFWV DIRHUQBWGGVHKDLOOHCRQ SXUSRVHG IRQFOXG
ZLWKRXXW OLPLWDVPLRQWDXWRPHURWYSD FIDYEGLEDDH OXVWD
QXFOHDU IDFLOLW\ DSSOLFDWLRQVS OOHQWFLQWIRQWKHQ ERG\IF
DSSOLFDWLRQ LQAZKERTL'ELYT Lp p` ° &)PÓR_LL4ð @ LQLQZGwxp0