



### FEATURES:

- Protects two I/O lines
- Low clamping voltage
- Array of surge rated, low capacitance diodes
- Solid-state silicon-avalanche technology
- Low capacitance (1.5pF max.) for high-speed interfaces
- RoHS compliant

### MAIN APPLICATIONS

- ADSL lines
- I<sup>2</sup>C bus protection
- ISDN S/T interface
- Portable electronics
- WAN/LAN equipment
- Video line protection
- Microcontroller input protection
- T1/E1 secondary IC side protection

### PROTECTION SOLUTION TO MEET

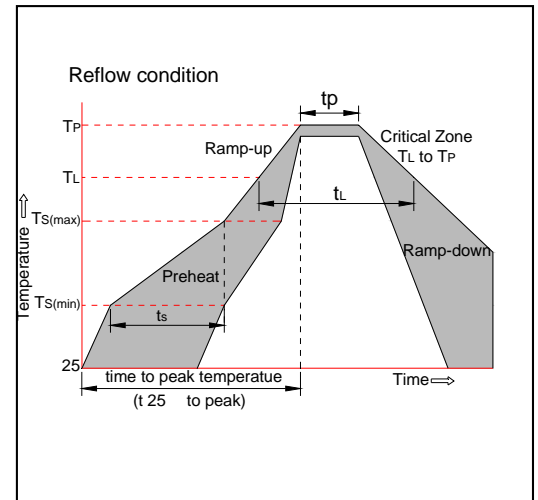
- IEC61000-4-2 (ESD) ±3kV (air), ±3kV (contact)
- IEC61000-4-2 (ESD) ±30kV (air), ±30kV (contact)



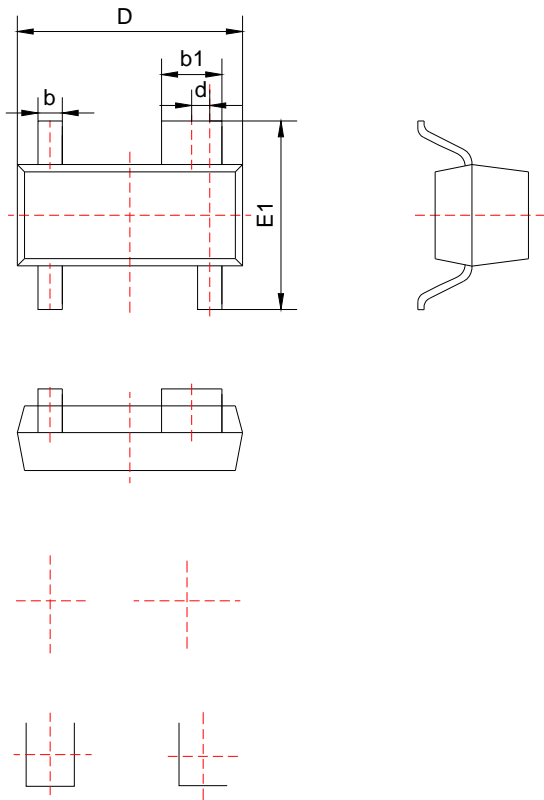
RATINGS AND V I

**SOLDERING PARAMETERS**

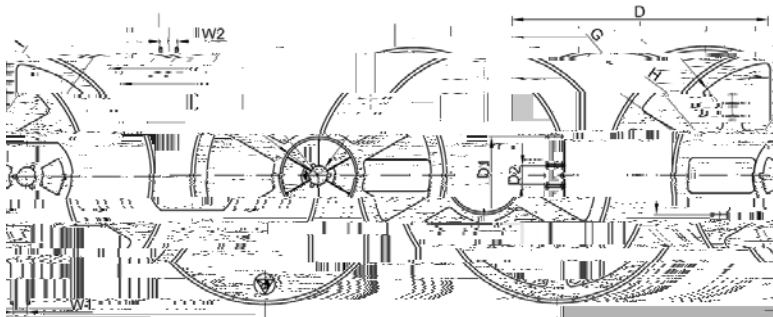
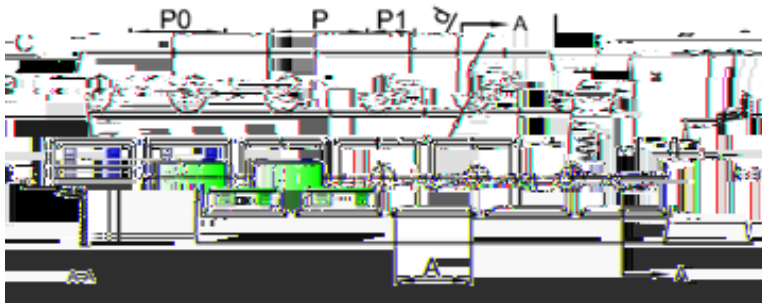
Reflow Condition		Pb-Free assembly (see figure at right)
Pre Heat	-Temperature Min ( $T_{s(min)}$ )	+150
	-Temperature Max( $T_{s(max)}$ )	+200
	-Time (Min to Max) (ts)	60-180 secs.
Average ramp up rate (Liquidus Temp ( $T_L$ )to peak)		3 /sec. Max
$T_{s(max)}$ to $T_L$ - Ramp-up Rate		3 /sec. Max
Reflow	-Temperature( $T_L$ )(Liquidus)	+217
	-Temperature( $t_L$ )	60-150 secs.
Peak Temp ( $T_P$ )		+260(+0/-5)
Time within 5 of actual Peak Temp ( $t_p$ )		20-40secs.
Ramp-down Rate		6 /sec. Max
Time 25 to Peak Temp ( $T_P$ )		8 min. Max
Do not exceed		+260



PACKAGE MECHANICAL DATA



TAPE AND REEL SPECIFICATION SOT 143



Packaging description:

SOT-143 parts are shipped in tape. The carrier tape is made from a dissipative(carbon filled) polycarbonate resin. The cover tape is a multilayer film(heat activated adhesive in nature)primarily composed of polyester film, adhesive layer, sealant, and anti-static sprayed agent. These reeled parts in standard option are shipped with 3,000 units per 7" or 17.8cm diameter reel. The reels are clear in color and made of polystyrene plastic(anti-static coated).

Symbol	Millimeters	Inches
	Typ.	Typ.
A	3.10	0.122
B	2.80	0.110
C	1.30	0.051
d	1.50	0.059
E	1.75	0.069
F	3.50	0.138
P0	4.00	0.157
P	4.00	0.157
P1	2.00	0.079
D1	54.40	2.142
D2	13.00	0.512
G	R78.00	3.071
H	R25.60	1.008
I	R6.50	0.256
W1	9.50	0.374
W2	12.30	0.484

ORDERING INFORMATION

Part No.	PACKAGE TYPE	QUANTITY REEL	DESCRIPTION
JEUSR70	SOT-143	3,000	7 inch reel pack

