

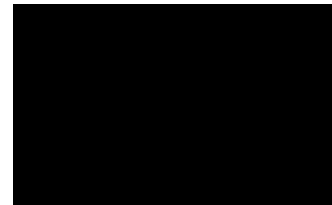


350 watts peak pulse power per line ( $t_P=8/20\mu s$ )  
Protects two I/O lines with uni-directional  
Low clamping voltage  
Working voltage: 36V  
Low leakage current  
RoHS compliant  
AEC-Q101 qualified

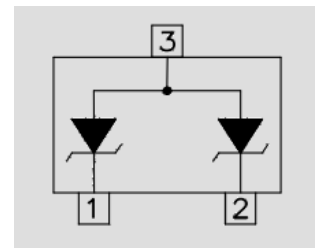
RS-232, RS-422 & RS-485  
Servers, notebook, and desktop  
Cellular handsets and accessories  
Control & monitoring systems  
Portable electronics  
Wireless bus protection  
Set-top box

IEC61000-4-4 (EFT) 40A (5/50ns)  
IEC61000-4-5 (lightning) 4A (8/20 $\mu s$ )

SOT-23 package  
Molding compound flammability rating: UL 94V-0  
Quantity per reel: 3,000pcs  
Reel size: 7 inch  
Lead finish: lead free  
Marking code: DM2



SOT-23

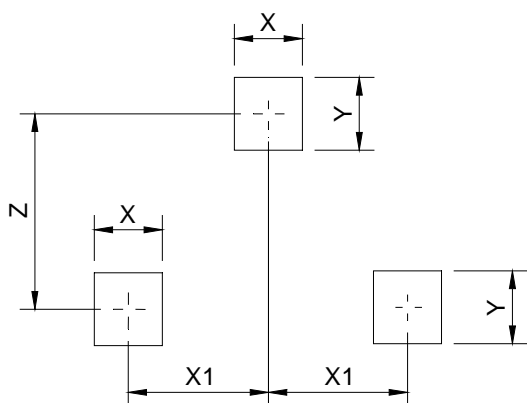


Pin Configuration



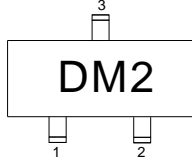
## TVS Diode Array

PACKAGE MECHANICAL DATA



TVS Diode Array

 JieJie Microelectronics Co., Ltd.

Part Number	Marking Code
JEU36T2B-AU	

JieJie products are not designed for, and shall not be used for, any purpose (including, without limitation, automotive, military, aerospace, medical, life-saving, life-sustaining or nuclear facility applications, devices intended for surgical implant into the body, or any other application in which the failure or lack of desired operation of the product may result in personal injury, death, or property damage) other than those expressly set forth in applicable JieJie product documentation. Warranties granted by JieJie shall be deemed void for products used for any purpose not expressly set forth in applicable JieJie documentation. JieJie shall not be liable for any claims or damages arising out of products used in applications not expressly intended by JieJie as set forth in applicable JieJie documentation. The sale and use of JieJie products is subject to JieJie terms and conditions of sale, unless otherwise agreed by JieJie.

Information furnished in this document is believed to be accurate and reliable. However, Jiangsu JieJie Microelectronics Co., Ltd. assumes no responsibility for the consequences of use without consideration for such information nor use beyond it.

Information mentioned in this document is subject to change without notice, apart from that when an agreement is signed, Jiangsu JieJie complies with the agreement.

Products and information provided in this document have no infringement of patents. Jiangsu JieJie assumes no responsibility for any infringement of other rights of third parties which may result from the use of such products and information.

This document is the 0.1st version which is made in 12-June-2023. This document supersedes and replaces all information previously supplied.



is a registered trademark of Jiangsu JieJie Microelectronics Co., Ltd.

Copyright ©2023 Jiangsu JieJie Microelectronics Co., Ltd. Printed All rights reserved.