



FEATURES

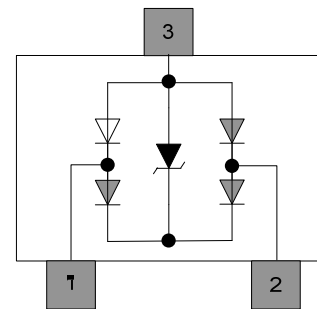
- ✧ 60 watts peak pulse power per line ($t_P=8/20\mu s$)
- ✧ Protects two I/O lines with uni-directional
- ✧ Low clamping voltage
- ✧ Ultra-low capacitance: $C_J=0.4pF$ typ.
- ✧ Working voltage:5V
- ✧ Low leakage current
- ✧ RoHS compliant

MAIN APPLICATIONS

- ✧ USB 2.0 and USB 3.0
- ✧ HDMI 1.3 and HDMI 1.4
- ✧ SATA and eSATA
- ✧ DVI
- ✧ PCI Express
- ✧ Portable Electronics
- ✧ IEEE 1394



SOT-23



Pin Configuration

PROTECTION SOLUTION TO MEET

- ✧ IEC61000-4-2 (ESD) $\pm 20kV$ (air), $\pm 20kV$ (contact)
- ✧ IEC61000-4-4 (EFT) 40A (5/50ns)
- ✧ IEC61000-4-5 (lightning) 4A (8/20 μs)

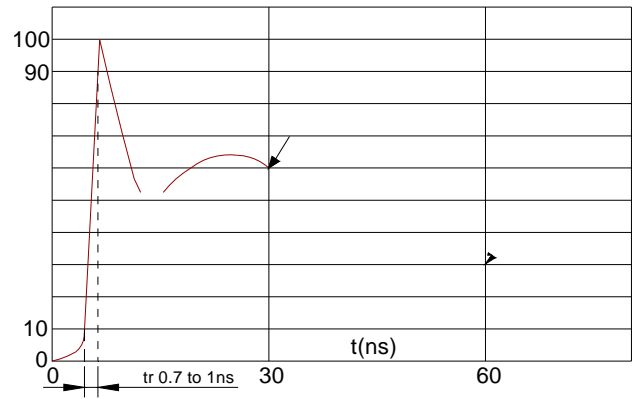
MECHANICAL CHARACTERISTICS

- ✧ Quantity per reel: 3,000pcs
- ✧ Reel size: 7 inch
- ✧ Lead finish: lead free
- ✧ Marking code: W02*



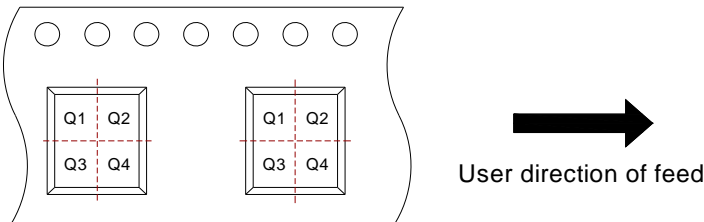
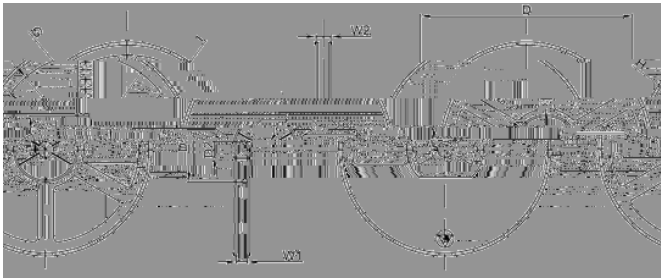
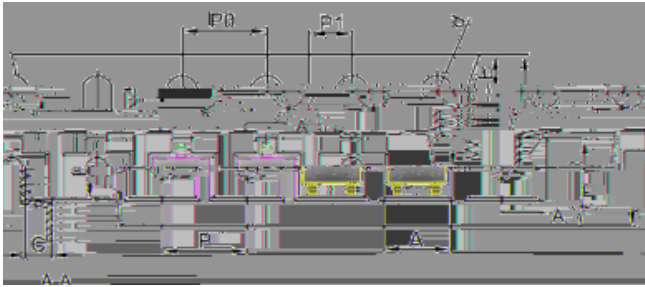
ABSOLUTE MAXIMUM RATINGS ($T_A=25^\circ\text{C}$, RH=45%-75%, unless otherwise noted)

Parameter	Symbol	Value	Unit
Peak pulse power dissipation at 8/20 μs waveform	P_{PP}	60	W
ESD per IEC 61000-4-2 (Air)	V_{ESD}	+/- 20	kV
ESD per IEC 61000-4-2 (Contact)		+/- 20	





TAPE AND REEL SPECIFICATION SOT 23



Pin 1 quadrant: Q3

Packaging Description:

SOT-23 parts are shipped in tape. The carrier tape is made from a dissipative(carbon filled) polycarbonate resin. The cover tape is a multilayer film(heat activated adhesive in nature)primarily composed of polyester film, adhesive layer, sealant, and anti-static sprayed agent. These reeled parts in standard option are shipped with 3,000units per 7" or 17.8cm diameter reel. The reels are clear in color and made of polystyrene plastic(anti-static coated).

Symbol	Millimeters	Inches
	Typ.	Typ.
A	3.15	0.124
B	2.77	0.109
C	1.22	0.048
d	1.50	0.059
E	1.75	0.069
F	3.50	0.138
P0	4.00	0.157
P	4.00	0.157
P1	2.00	0.079
W	8.00	0.315
D	178	7.008
D1	54.40	2.142
D2	13.00	0.512
G	R78.00	R3.071
H	R25.60	R1.008
I	R6.50	R0.256
W1	9.50	0.374
W2	12.30	0.484

ORDERING INFORMATION

PART No.	PACKAGE TYPE	QUANTITY(PCS) REEL	DESCRIPTION
JEU05UCT2B	SOT-23	3,000	7 inch reel pack



MARKING CODE