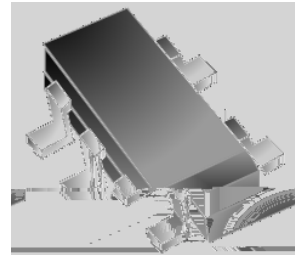


FEATURES

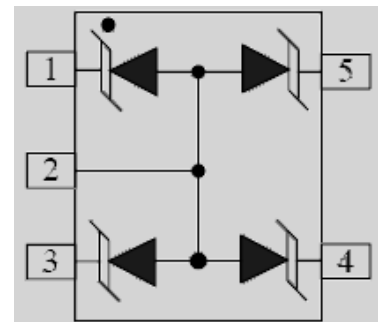
- ◇ 100 Watts peak pulse power per line (tp



SOT-353

MAIN APPLICATIONS

- ◇ Cellular handsets & accessories
- ◇ Personal digital assistants(PDAs)
- ◇ Notebook & handhelds
- ◇ Portable instrumentation
- ◇ Digital cameras
- ◇ MP3 player



Top-view

PROTECTION SOLUTION TO MEET

- ◇ IEC61000-4-2 (ESD) $\pm 25\text{kV}$ (air), $\pm 25\text{kV}$ (contact)
- ◇ IEC61000-4-4 (EFT) 40A (5/50ns)
- ◇ IEC61000-4-5 (Lightning) 8A (8/20 μs)

MECHANICAL CHARACTERISTICS

- ◇ JEDEC SOT-353 package
- ◇ Molding compound flammability rating : UL 94V-0
- ◇ Quantity per re olc M
- ◇
- ◇

ABSOLUTE MAXIMUM RATINGS ($T_A=25^{\circ}\text{C}$, $\text{RH}=45\%-75\%$, unless otherwise noted)

Parameter	Symbol	Value	Unit
Peak pulse power dissipation at 8/20 μs waveform	P_{PP}	100	W
ESD per IEC 61000-4-2 (Air) ESD per IEC 61000-4-2 (Contact)	V_{ESD}	+/- 25 +/- 25	kV
Lead soldering temperature	T_L	260 (10 sec.)	
Operating junction temperature range	T_J	-55 to +125	
Storage temperature range	T_{STG}	-55 to +150	

ELECTRICAL CHARACTERISTICS ($T_A=25^{\circ}\text{C}$)

Parameter	Symbol	Conditions	Min	Typ	Max	Unit
Reverse working voltage	V_{RWM}				5.0	V
Reverse breakdown voltage	V_{BR}	$I_T=1\text{mA}$	6.0			V
Reverse leakage current	I_R	$V_R=5\text{V}$			1	μA
Clamping voltage (I/O pin to Ground)	V_C	$I_{PP}=1\text{A}$, $t_P=8/20\mu\text{s}$			9.6	V
		$I_{PP}=8\text{A}$, $t_P=8/20\mu\text{s}$		11	15	V
Junction capacitance	C_J	$V_R=0\text{V}$, $f=1\text{MHz}$ Any I/O pin to ground		70	85	pF

RATINGS AND V I CHARACTERISTICS CURVES ($T_A=25^{\circ}\text{C}$, unless otherwise noted)

FIG.1: V- I curve characteristics (Uni-directional)

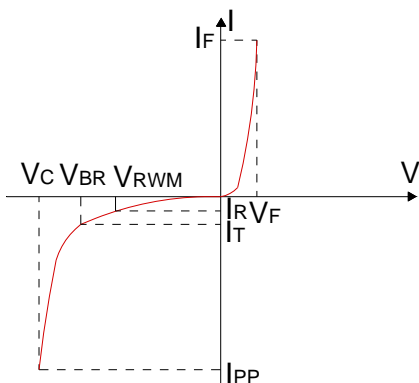
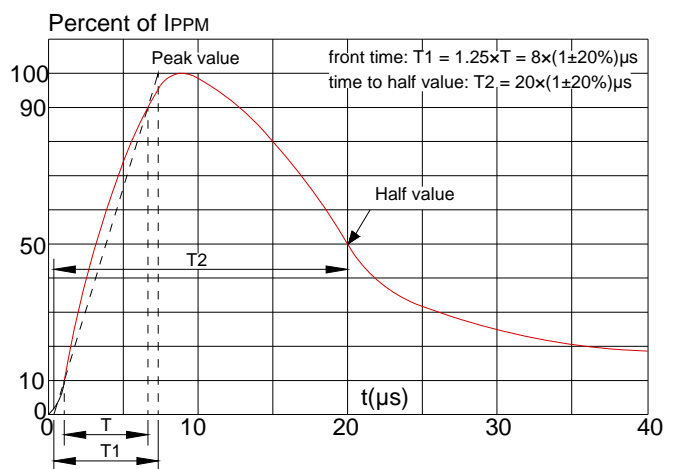
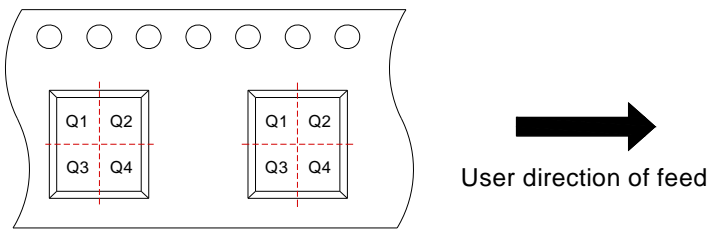


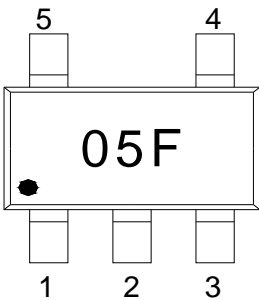
FIG.2: Pulse waveform (8/20 μs)



TAPE AND REEL SPECIFICATION SOT 353



MARKING CODE

Part Number	Marking Code
JEU05MF	

JieJie products are not designed for, and shall not be used for, any purpose (including, without limitation, automotive, military, aerospace, medical, life-saving, life-sustaining or nuclear facility applications, devices intended for surgical implant into the body, or any other application in which the failure or lack of desired operation of the product may result in personal injury, death, or property damage) other than those expressly set forth in applicable JieJie product documentation. Warranties granted by JieJie shall be deemed void for products used for any purpose not expressly set forth in applicable JieJie documentation. JieJie shall not be liable for any claims or damages arising out of products used in applications not expressly intended by JieJie as set forth in applicable JieJie documentation. The sale and use of JieJie products is subject to JieJie terms and conditions of sale, unless otherwise agreed by JieJie.

Information furnished in this document is believed to be accurate and reliable. However, Jiangsu JieJie Microelectronics Co., Ltd. assumes no responsibility for the consequences of use without consideration for such information nor use beyond it.

Information mentioned in this document is subject to change without notice, apart from that when an agreement is signed, Jiangsu JieJie complies with the agreement.

Products and information provided in this document have no infr p r o E t