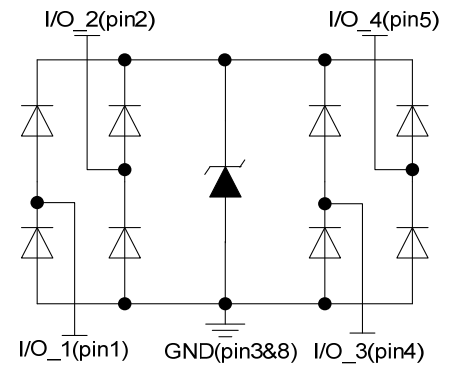




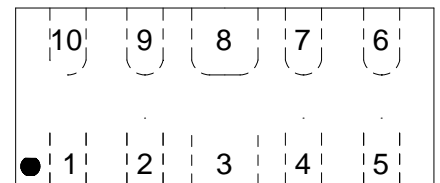
- Solid-state silicon-avalanche technology
- Up to four I/O lines of protection
- Low operating voltage
- Ultra low capacitance
- Low clamping voltage
- Low leakage current
- RoHS compliant
- AEC-Q101 qualified



DFN2510-10L



Pin configuration



- SATA interfaces
- High definition multi-media interface(HDMI)

- IEC61000-4-2 (ESD) ±15kV (air), ±8kV (contact)
- IEC61000-4-4 (EFT) 40A (5/50ns)
- IEC61000-4-5 (Lightning) 3.5A (8/20µs)

- DFN2510-10L package
- Molding compound flammability rating: UL 94V-0
- Quantity per reel: 3,000pcs
- Lead finish: lead free
- Marking code: 5R2P

(T_A=25

