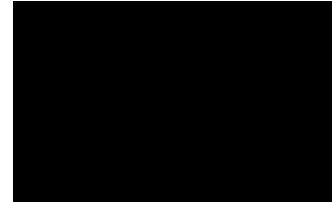




FEATURES

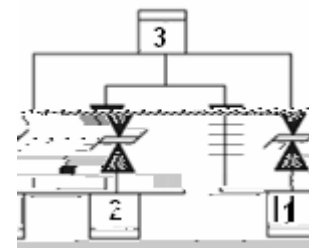
- 350 Watts peak pulse power per line ($t_P=8/20\mu s$)
- Protect for two I/O lines with bi-directional
- Low clamping voltage
- Working voltage: 15V
- Low leakage current
- RoHS compliant



SOT-23

MAIN APPLICATIONS

- RS-232, RS-422 & RS-485
- Servers, notebook, and desktop
- Cellular handsets and accessories
- Control & monitoring systems
- Portable electronics
- Wireless bus protection
- Set-top box



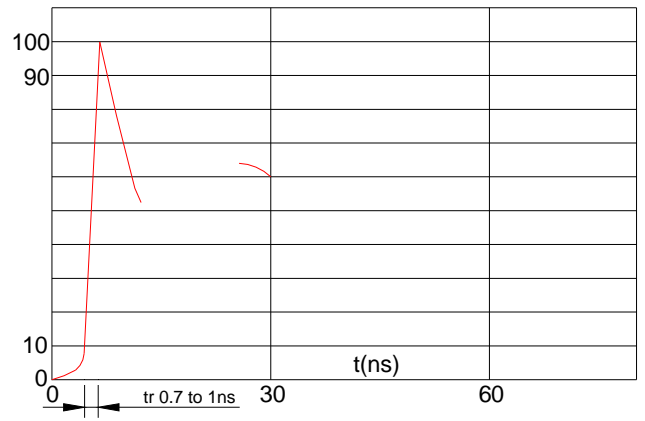
Pin Configuration

PROTECTION SOLUTION TO MEET

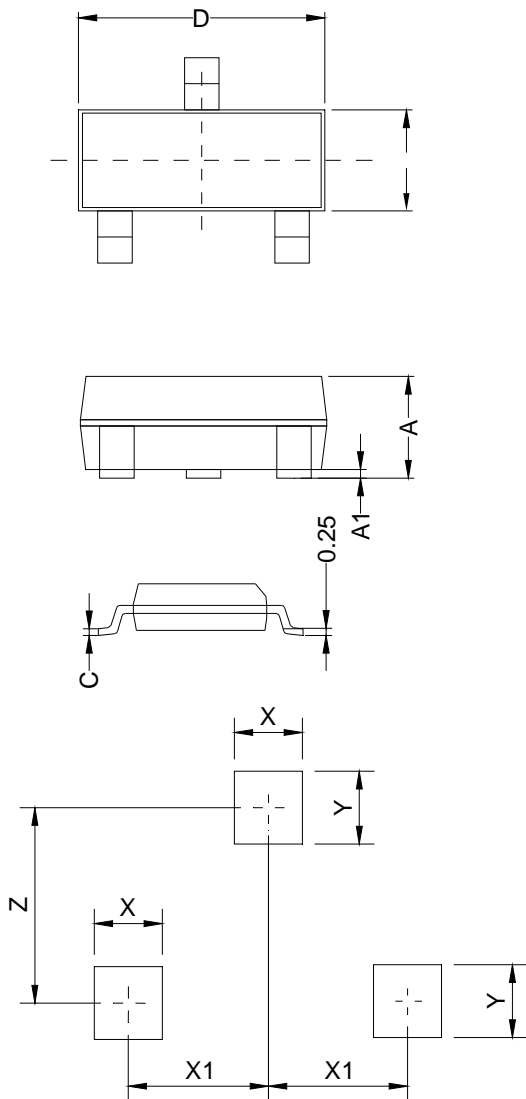
- IEC61000-4-2 (ESD) $\pm 30kV$ (air), $\pm 30kV$ (contact)
- IEC61000-4-4 (EFT) 40A (5/50ns)
- IEC61000-4-5 (Lightning) 10A (8/20 μs)

MECHANICAL CHARACTERISTICS

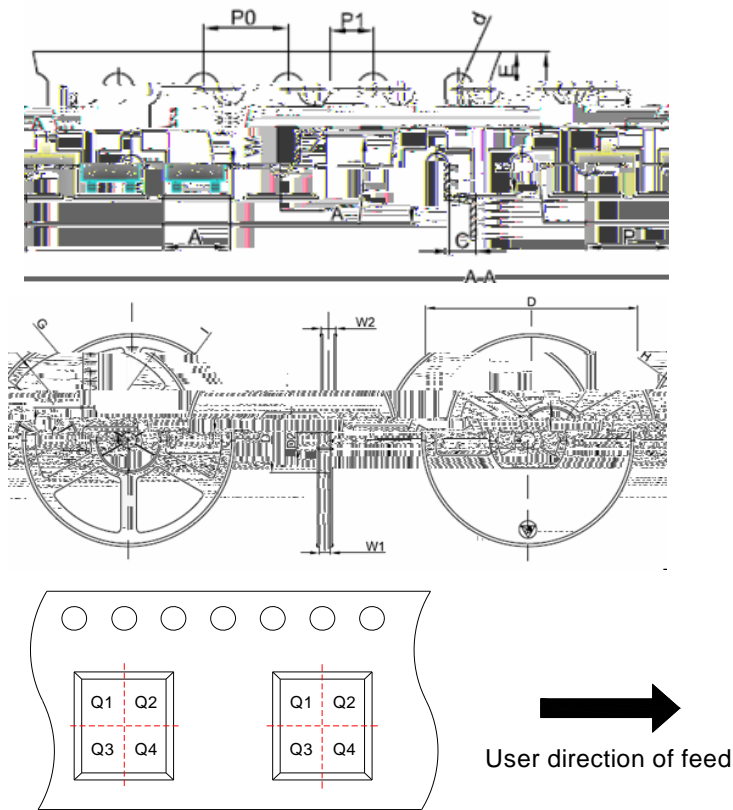
- SOT-23 package
- Molding compound flammability rating : UL 94V-0
- Weight 8 milligrams (approximate)
- Quantity per reel : 3,000pcs
- Lead finish : lead free
- Marking code BB2



PACKAGE MECHANICAL DATA



TAPE AND REEL SPECIFICATION SOT 23

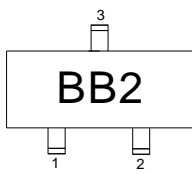


Pin 1 quadrant: Q3

ORDERING INFORMATION

PART No.

MARKING CODE

Part Number	Marking Code
JEB15T2B	

Information furnished in this document is believed to be accurate and reliable. However, Jiangsu JieJie Microelectronics Co.,Ltd assumes no responsibility for the consequences of use without consideration for such information nor use beyond it.

Information mentioned in this document is subject to change without notice, apart from that when an agreement is signed, Jiangsu JieJie complies with the agreement.

Products and information provided in this document have no infringement of patents. Jiangsu JieJie assumes no responsibility for any infringement of other rights of third parties which may result from the use of such products and information.

This document is the 1.5th version which is made in 13-Oct.-2021. This document supersedes and replaces all information previously supplied.

 is a registered trademark of Jiangsu JieJie Microelectronics Co.,Ltd.

Copyright ©2021 Jiangsu JieJie Microelectronics Co.,Ltd. Printed All rights reserved.